

# RS PRO Photoelectric Sensor

RS Stock No.: 202-5448, 202-5450

## FEATURES

- Diffuse reflection working principle;
- Excellent anti-interference performance;
- High detection accuracy;
- With special on-delay and off-delay function.



RS Professionally Approved Products bring to you professional quality parts across all product categories. Our product range has been tested by engineers and provides a comparable quality to the leading brands without paying a premium price.

## Part Number Description

Part number	Sensing distance	Light source	Output	Connection
202-5448	200cm (adjustable)	Infrared LED (880nm)	NPN NO+NC	Terminal
202-5450	200cm (adjustable)	Infrared LED (880nm)	PNP NO+NC	Terminal

## General Specifications

<b>Detection Type</b>	Diffuse reflection
<b>Rated distance [Sn]</b>	200cm adjustable
<b>Standard target</b>	Reflection rate: White card 90%
<b>Detection target</b>	Opaque object
<b>Response Time</b>	≤8.2ms
<b>Hysteresis [%/Sr]</b>	≤5...20%
<b>Indicator</b>	Power: Green LED; Output: Yellow LED
<b>Repeat accuracy [R]</b>	≤5%
<b>Ambient Temperature</b>	-15°C...55 °C
<b>Ambient humidity</b>	35...85%RH (Non-condensing)

## Electrical Specifications

<b>Operating Supply Voltage</b>	10...30 VDC
<b>Current Consumption</b>	≤25mA
<b>Residual voltage</b>	≤2.5V
<b>Load Current</b>	≤200mA
<b>Voltage withstand</b>	1000V/AC 50/60Hz 60s
<b>Insulation resistance</b>	≥50MΩ(500VDC)
<b>Vibration resistance</b>	10...50Hz (0.5mm)
<b>Reverse Polarity Protection</b>	YES
<b>Overload Protection</b>	YES
<b>Short Circuit Protection</b>	YES

## Mechanical Specifications

<b>Body Style</b>	Block
<b>Mounting Type</b>	Screw
<b>Housing Material</b>	PC/ABS
<b>Dimensions</b>	88*65*25mm
<b>Gross Weight</b>	215g

## Protection Category

<b>IP Rating</b>	IP67
------------------	------

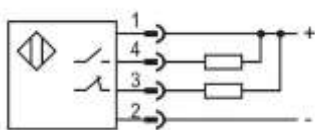
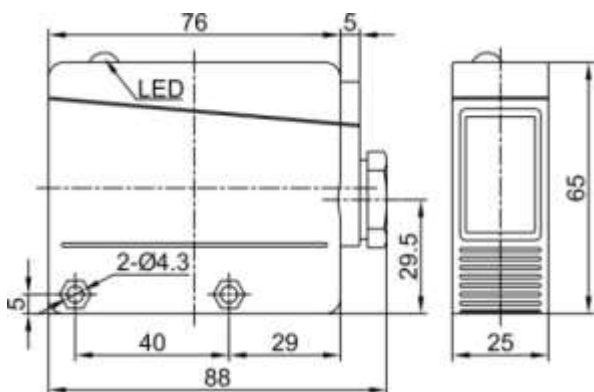
## Additional Information

<b>Custom Tariff Number/HS code</b>	903180
-------------------------------------	--------

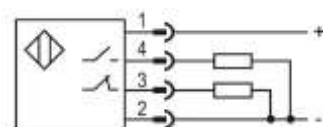
## Approvals

<b>Compliance/Certifications</b>	CE
----------------------------------	----

## Dimension and Wiring



NPN NO+NC



PNP NO+NC