

## FEATURES

- Modularity
- Sharp and reliable regulation
- High flow
- Robust with light weight

# RS PRO WATER REGULATOR 1/4 0-8 BAR

RS Stock No.: 2312782



RS PROfessionally Approved Products bring to you professional quality parts across all product categories. Our product range has been tested by engineers and provides a comparable quality to the leading brands without paying a premium price.

## Product Description

The RS PRO water regulator 1/8 works in 0-8 bar pressure range. It is necessary for a perfect conditioning of compressed air. While connecting the regulator, be sure that the air flows towards the direction of the arrows located on the upper surface of the regulator. It is RoHS and REACH compliant.

## General Specifications

<b>Material</b>	Techno Polymeric
<b>Connection Type</b>	Thread
<b>Media</b>	Compressed Air
<b>Applications</b>	Pneumatic Automation, Compressed Air Circuit, Compressors, Compressed Air Pipeline

## Mechanical Specifications

<b>Port Connection</b>	G 1/4in
<b>Port Connection Thread Standard</b>	G
<b>Port Connection Thread Size</b>	1/4in
<b>Minimum Outlet Pressure</b>	0bar
<b>Maximum Outlet Pressure</b>	8bar
<b>Pressure Gauge Port Size</b>	M30 x 1.5in
<b>Pressure Gauge Port Thread Standard</b>	M30
<b>Pressure Gauge Port Thread Size</b>	1/5in
<b>Regulation Range</b>	0÷8bar
<b>Overall Dimensions</b>	74mm x 40mm x 40mm
<b>Overall Height</b>	74mm
<b>Overall Width</b>	40mm

## Operation Environment Specifications

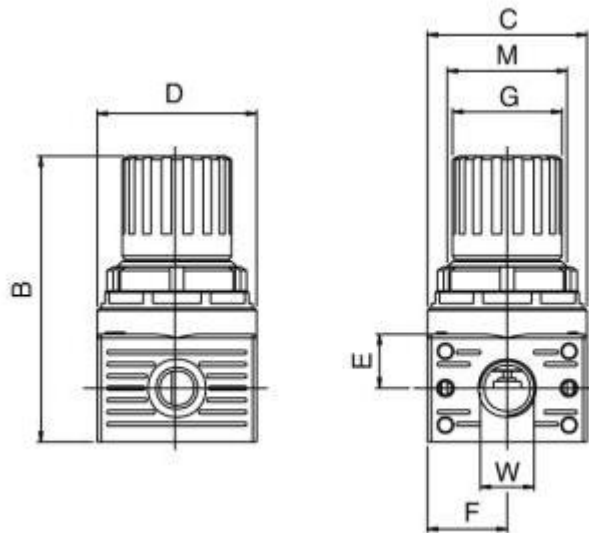
<b>Maximum Operating Temperature</b>	+50°C
<b>Minimum Operating Temperature</b>	5°C

## Approvals

<b>Standards Met</b>	1907/2006 REACH, 2011/65/CE, RoHS, PED 2014/68/UE
----------------------	---

## Similar Products

Parameters	2312781	2312782
<b>Brand</b>	<b>RS PRO</b>	<b>RS PRO</b>
<b>Material</b>	Techno Polymeric	Techno Polymeric
<b>Connection Type</b>	Thread	Thread
<b>Media</b>	Compressed Air	Compressed Air
<b>Port Connection</b>	G 1/8in	G 1/4in
<b>Port Connection Thread Standard</b>	G	G
<b>Port Connection Thread Size</b>	1/8in	1/4in
<b>Minimum Outlet Pressure</b>	0bar	0bar
<b>Maximum Outlet Pressure</b>	8bar	8bar
<b>Pressure Gauge Port Size</b>	M30 x 1.5in	M30 x 1.5in
<b>Pressure Gauge Port Thread Standard</b>	M30	M30
<b>Pressure Gauge Port Thread Size</b>	1/5in	1/5in
<b>Regulation Range</b>	0÷8bar	0÷8bar
<b>Overall Dimensions</b>	74mm x 40mm x 40mm	74mm x 40mm x 40mm
<b>Overall Height</b>	74mm	74mm
<b>Overall Width</b>	40mm	40mm
<b>Standards Met</b>	1907/2006 REACH, 2011/65/CE, RoHS, PED 2014/68/UE	1907/2006 REACH, 2011/65/CE, RoHS, PED 2014/68/UE
<b>Applications</b>	Pneumatic Automation, Compressed Air Circuit, Compressors, Compressed Air Pipeline	Pneumatic Automation, Compressed Air Circuit, Compressors, Compressed Air Pipeline



B	C	D	E	F	G	I	M	W
74	40	40	13.5	20	27.5	27	M30X1.5	1/8 - 1/4