

92mm Square Flange Mount SPDT Float Switch



The S35 series are 92mm square flange mount float operated level switches.

This design uses a pivoted float arm with a magnet on the inboard end. This magnet when moved by the rising float arm interacts with another magnet in the switch enclosure to give a snap action operation.

Features

- 92 x 92mm flange mount for installation from outside of tank
- SS 316L float material
- SS 304 other wetted parts material
- Aluminium enclosure with lid and cable gland connection

SPECIFICATIONS

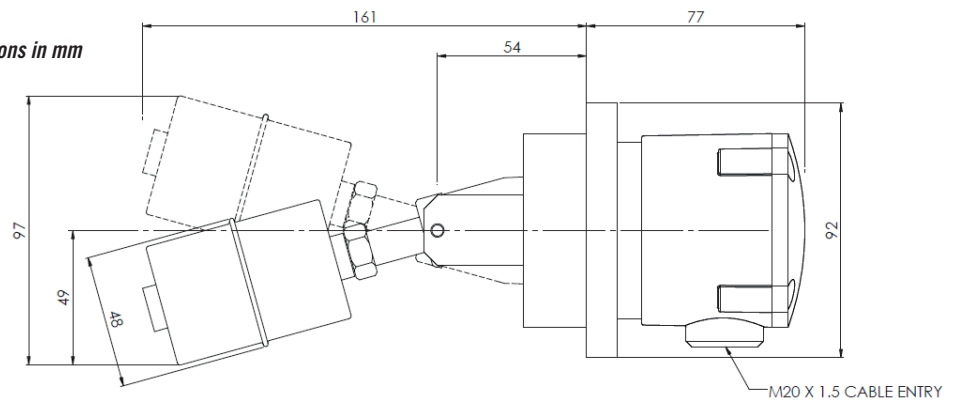
Technical

Mounting style	External via flange	Mounting size	92 x 92mm square
Float material	316L grade SS	Other wetted parts	SS 304
Operating Temperature	0 - 130°C	Cable entry	M20 x 1.5
Maximum pressure	19bar @ 20°C, 15bar @ 130°C*	Enclosure rating	IP68
Minimum fluid SG	0.6	Sealing gasket	Nitrile
Switch differential	+/- 10mm from centreline		
* - to be confirmed			

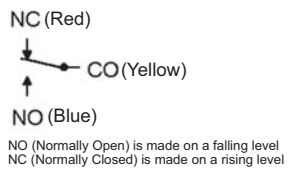
Electrical

Contact Form	SPCO (changeover)
Switching Voltage AC Max V	250
Switching Voltage DC Max V	30
Switching Current Max A	4 (resistive load) 3 (inductive load)

Mechanical Dimensions in mm



Wiring Detail



FLANGE DIMENSIONS

