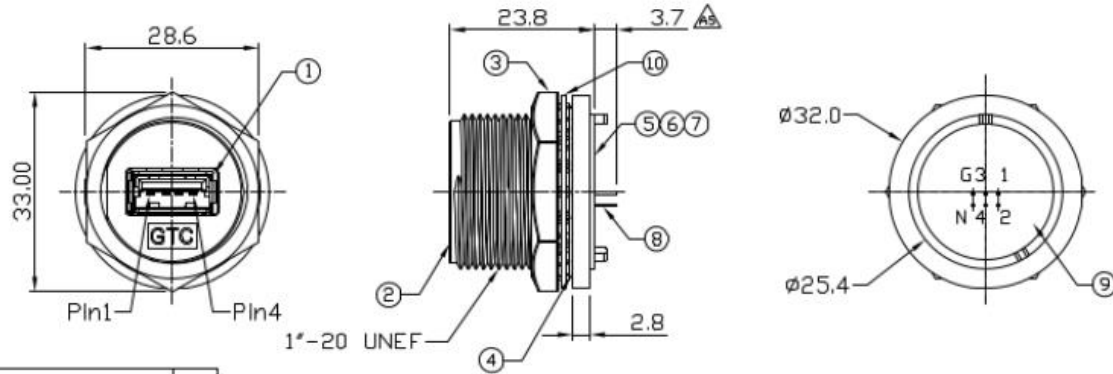




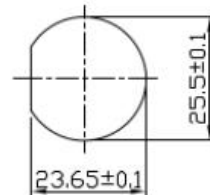
Notes: (Unless Otherwise Specified)

1. Waterproof Rate: IP68.
2. Recommend Panel Thickness: 0.8 to 8.0 mm.
3. Recommend Torque: 19~20 KgF-cm.
4. Mating Cap P/N: 125-7930
5. RoHS Compliant.

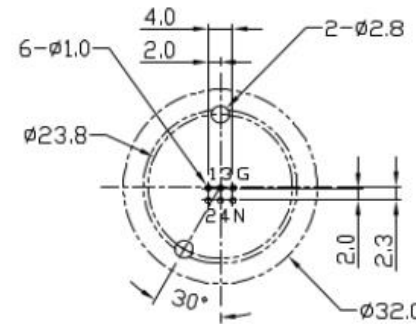
REV	ECN#	DESCRIPTION OF REVISION	DRAW BY DATE	CHECK BY DATE	APPROVE BY DATE
A4	ECN-120313	Add Metal Washer , Marked $\Delta\Delta$	Joyce 04/09/12	Lucas 04/09/12	Roy 04/09/12
A5	ECN-130710	Changed Dimension 2.8 to 3.7 $\Delta\Delta$	Joyce 07/15/13	Lucas 07/15/13	Roy 07/15/13



10	Metal Washer	Stainless Finish —	1 $\Delta\Delta$
9	Glue	Epoxy Color: Black	
8	Pin Header	Housing: Thermoplastic, Color: Black Contacts: Copper Alloy, Finish Au Plated	1
7	PCB	FR-4 Color: —	1
6	EMI Shielded Plated	Zn Alloy Finish Ni Plated	1
5	Holder	Thermoplastic Color: Black	1
4	O-Ring	Silicone Color: Red	1
3	Hex Nut	Zn Alloy Finish Ni Plated	1
2	Housing	Zn Alloy Finish Ni Plated	1
1	USB-A Receptacle	Housing: Thermoplastic, Color: Black Contacts: Copper Alloy, Finish Au Plated Shell: Copper Alloy, Finish Ni Plated	1
Item	Part Name	Material / Finish	QTY



Recommend Panel Cut-Out



Recommend PCB Layout

Mating Part:  
122-3023

RS Stock No  
122-3022

TITLE						REV.	RS Stock No			
USB-A Metal C4 Panel Jack Dlp Screw						A5	122-3022			
THIRD ANGLE PROJECTION		B	1:1	Karen 04/28/09	Roy 04/28/09	Roy 04/28/09	X.X ± 0.5 X.XX ± 0.2	X.XXX ± 0.05 ANGLES ± 1°	mm	1/1
SIZE	SCALE	DRAW / DATE	CHECK / DATE	APPROVE / DATE	TOLERANCES	UNIT	SHEET			