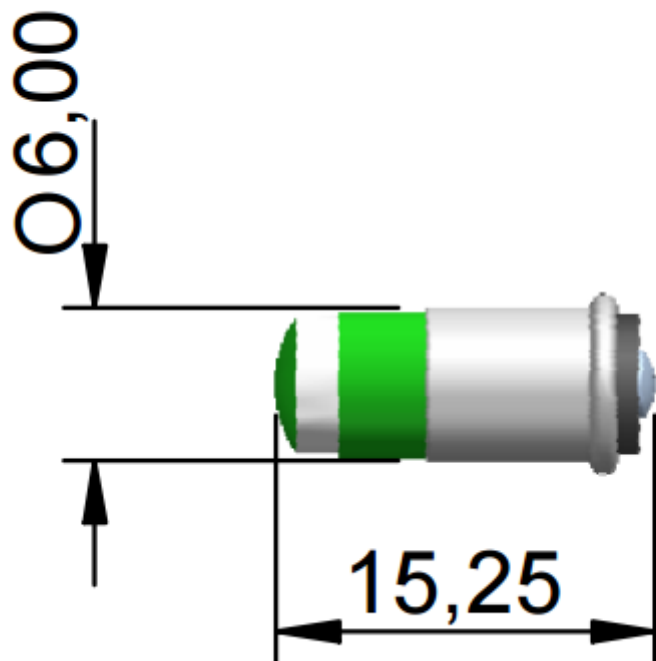


# Datasheet

## LED Indicator Lamp

RS ITEM NO 206-570



LED/Multiled	Multiled	Optimum voltage (V)	12vdc	Intensity	35mcd
Mounting Size		Rectifier			
Mounting Finish		AC current			
Protection		DC current	30mA		
Mount Holder	T1 ¼ Midget Flange	Voltage Tolerance(%)	10%		
Chip Qty	6	Optimum temperature (°C)	-30°C...+60°C		
Indicator colour	Green	Storage temperature (°C)	-30°C...+60°C		
Wavelength (nm)	565	Contact Tab x 2	Midget Flange Cap		



Dimension in mm (typical), not to scale.  
We reserve the right to make changes without further notice to this product to improve reliability, function or design.