

Datasheet

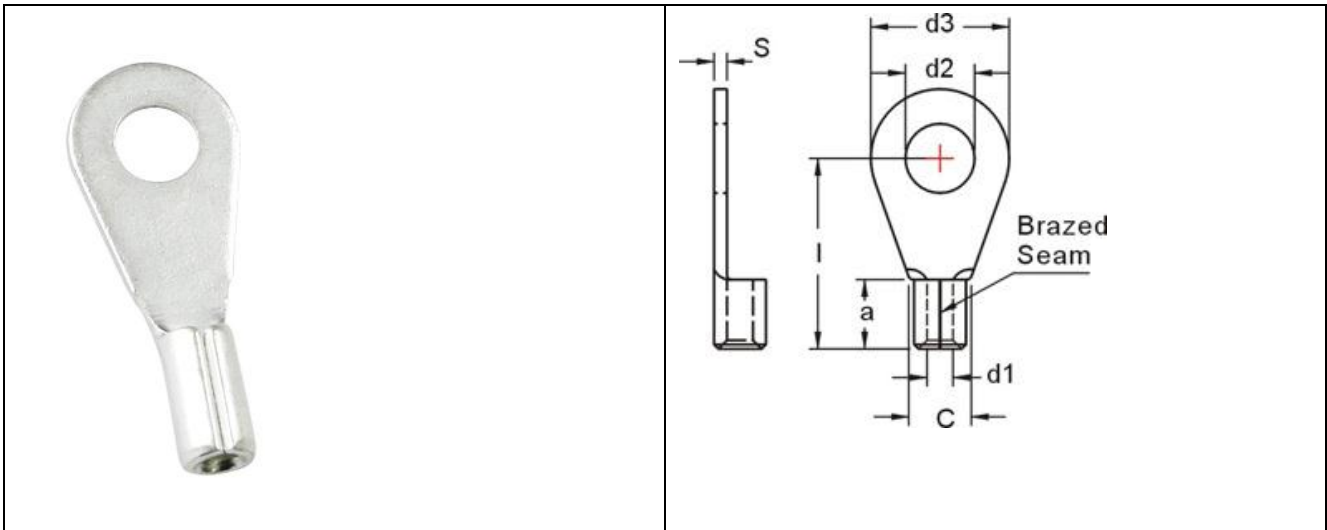
RS PRO NON-INSULATED DIN 46234 RING TERMINALS

Stock number: 178-7256

MAXIMUM ELECTRIC CURRENT:

A.W.G.	22	20	18	16
AMP.	9	12	17	18

TERMINAL MATERIAL: COPPER



WIRE RANGE A.W.G. mm ²	ITEM NO.	STUD SIZE		DIMENSION (mm)					
		d2	D3	I	A	C	d1	S	
22-16 A.W.G. 0.5-1.5 mm ²	<input type="checkbox"/> 178-7256	#4	3.2	6	11	5	4	1.6	0.8