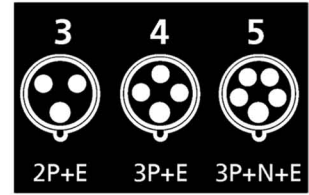
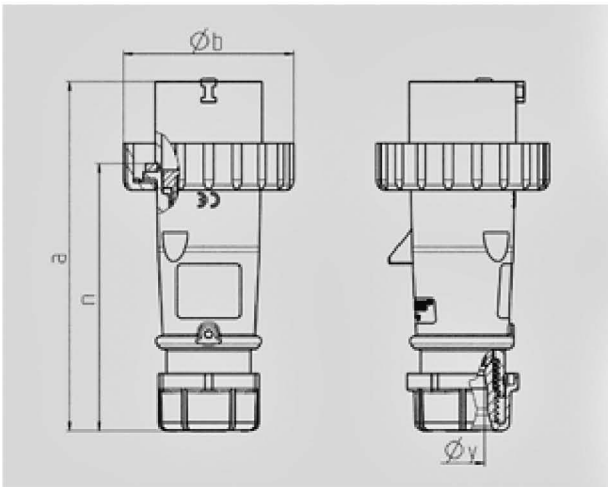


**Plug AM-TOP® - Part no. 283**



- screw terminals
- single part body
- cable gland and sealing
- strain relief and protection against kinking

Protection type IP 67  
 Ampere 16A  
 Poles 4p  
 Voltage 500V  
 Hertz 50-60Hz  
 Earth position 7h  
 Contact standard  
 Connection technology Screw terminals



Drawing	Amp.	16			32		
		3	4	5	3	4	5
2 MB 218	Poles						
Dim. in mm	a	142	144	147	186	186	180
	b	70	78	87	94	94	101
	n	109	111	114	145	145	138
	y	14,5	16	16	22	22	22
Terminal for cond. cross		1	1	1	2,5	2,5	2,5
section (mm <sup>2</sup> ) min.-max.		-2,5	-2,5	-2,5	-6	-6	-6

