



Datasheet

RS PRO Two-Part Enclosures

Stock number: 1920799

EN

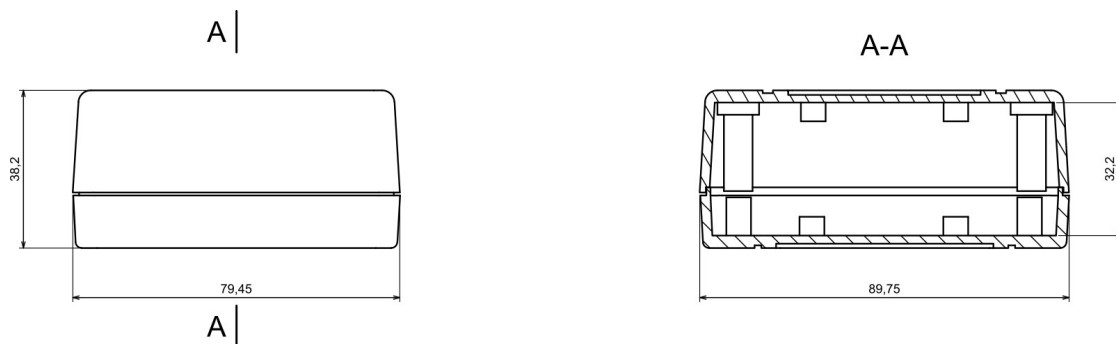


Product Details

Two-part enclosure is made of black ABS. The enclosure provides IP54 and IK06 rating it is ideal for applications that doesn't require hermetic seal.

Features and Benefits

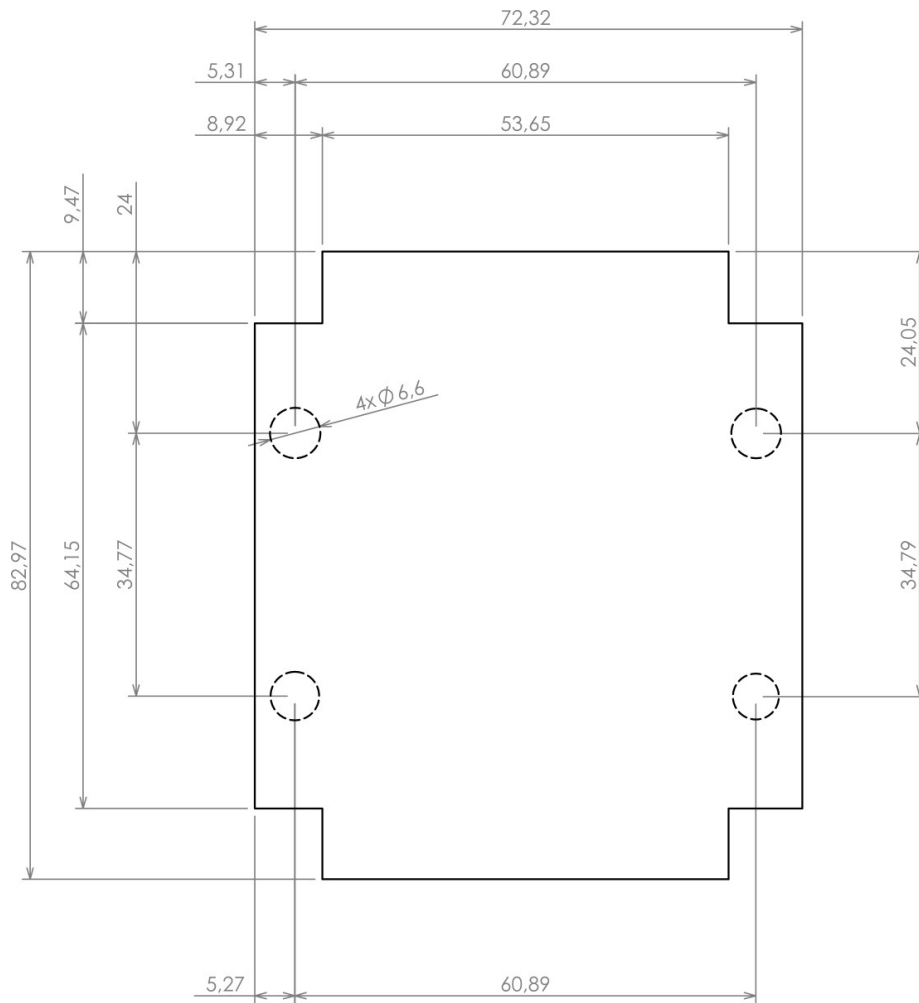
- Made of ABS
- Available in black color
- Protection against liquids and solid objects: IP54 rating
- Shock protection level: IK06 rating
- Supplied with screws for assembly
- Lid with recess for keypads and overlays



Category	Two-part Enclosure
Type	Full
Material	ABS
Variant	Without gasket
Height	38.0 mm
Width	80.0 mm
Length	90.0 mm
Color	Black
Protection level	IP54
Shock protection level	IK06
Standards Met	RoHS Compliant
Accessories	Screw 3/30: 4.0 pcs
Certificate number	CE/031/18



Max PCB size



Dashed line shows outline of the mounting boss under PCB board
Recommended mounting holes diameter \varnothing 3,5mm
All dimensions are given within \pm 0,5mm tolerance