

## Features

- Rated currents 36A
- General purpose. Three phase-four line filtering
- Voltage rating 300 and 520VAC for world wide acceptance

## RS PRO EMI FILTER

RSStock No.: 2378774, 2378775



RS PRO Professionally Approved Products bring to you professional quality parts across all product categories. Our product range has been tested by engineers and provides a comparable quality to the leading brands without paying a premium price.

## Product Description

- Mainframe computer systems
- High power office equipment
- UPS/SMPS
- Automation equipment

## General Specifications

Protection against interference of voltage.  
Used as a main input filter, YX92 filters can keep the system reliable by restrain the conducted interference.  
Customized products according to customer's requirements.

## Mechanical Specifications

Size	150X105X60mm (L X W X H)
Weight	1.4kgs

## Electrical Specifications

Rated Voltage	300/520VAC
Rated Current	10A
Rated Power	365
Frequency	50/60Hz

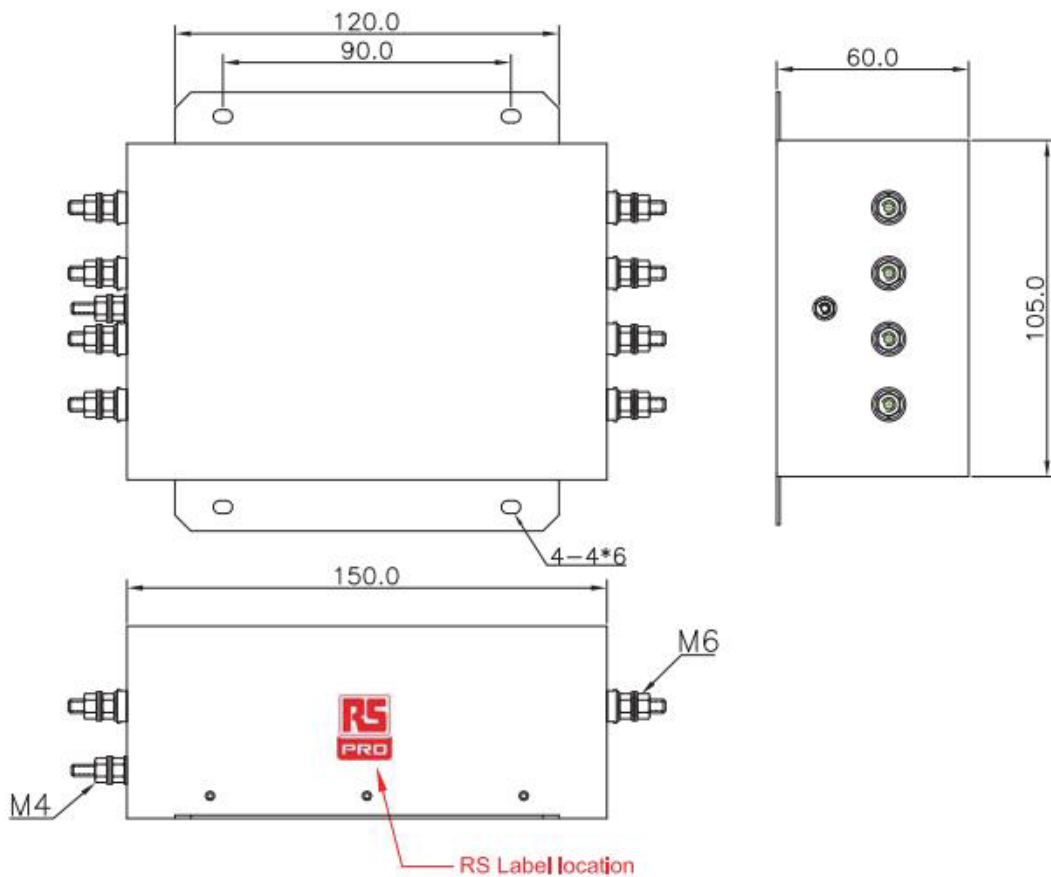
## Protection Category

according to IEC 60529	IP40
------------------------	------

## Approvals

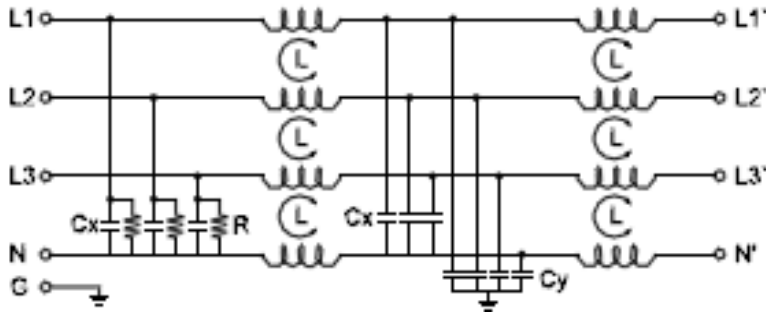
Declarations	UL; ENEC; CE
Standards Met	UL1283, CSA C22.2 No.8; IEC/EN 60939

## Physical Dimensions



0 ~ 10	±0.3
10 ~ 100	±0.5
100 ~ 150	±0.8
150 ~ 200	±1.0

## Electrical Schematic



## Insertion loss table (In 50ohm system according IEC/CISPR No.17)

———— Common mode      - - - - - Differential mode

36A

