

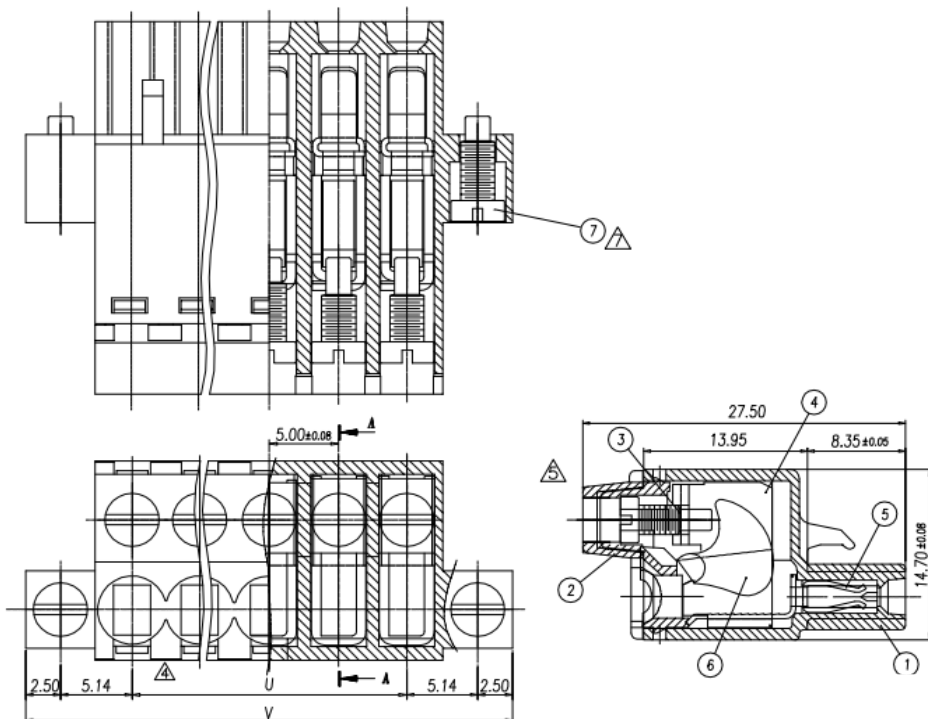
Datasheet

New 5.08mm Plug Straight with Flanges 15A

RS Stock 874-4821



Dimensions: (mm)





ENGLISH

Specifications

- Rating: 300 14A
- Pitch: 5.00mm
- Insulation Withstands Voltage: AC 2000V / Min
- Insulation Resistance: 1000M Ω or more at DC500V
- Using temperature range: -40°C~ + 105°C
- Screw Torque Value: 5kgf-cm
- Suitable Electric Wire: 24~12 AWG

Material

- Housing: Green
- End Cover: Green
- Screw: M2.5 Zn Plated
- Wire Cage: Zn Plated
- Clamp: Tin Plated
- Cam: Zn Plated
- Screw: M2.5 Zn Plated