



DATA SHEET

4FL, SUNGWOAUTO BLDG., 609, BONGEUNSA-RO, GANGNAM-GU, SEOUL, KOREA

TEL : +82-2-2189-0955 / FAX : +82-2-2189-0930 / URL : <http://www.solite.co.kr>

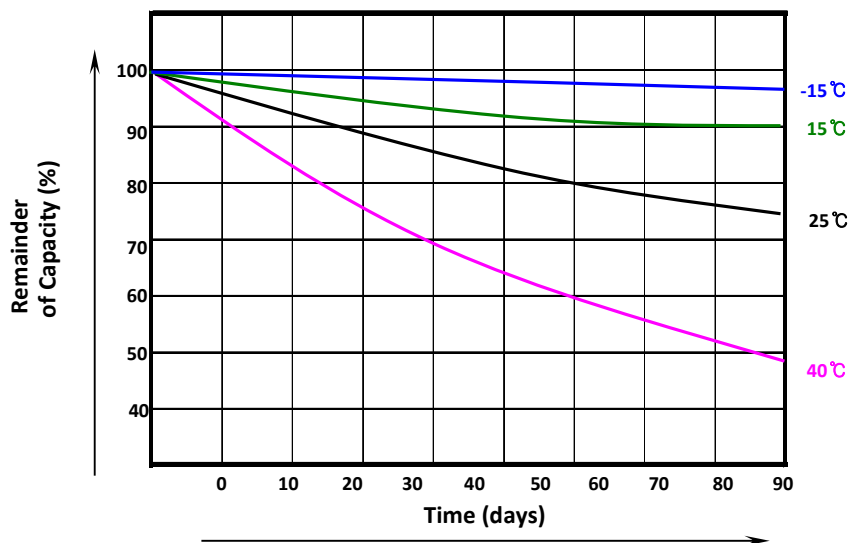
HYUNDAI SUNGWO
SOLITE

MODEL NO. : CMF200

Specification

| | | |
|----------------------------------|--|---------------|
| Norminal Voltage | 12V | |
| Norminal Capacity(20Hr) | 200Ah | |
| SAE CCA(Cold Cranking Ampere) | 1100CCA | |
| RC (Rerserve Capacity) | 430Min. | |
| Charge Rate Acceptance Test | 23.3A | |
| Dimension | Length | 503mm |
| | Width | 261mm |
| | Container Height | 217mm |
| | Total Height (with Terminal) | 239mm |
| | Approximate Weight | Approx 50.1kg |
| Terminal Shape | Standard shape according to SAE standard | |
| Terminal Layout | Layout 4 | |
| Container Material | PP(polypropylene) | |
| Norminal Operating Temp. Range | 25±3 °C (77±5 °F) | |
| | 40 °C (104 °F) | 105% |
| | 0 °C (32 °F) | 85% |
| Capacity affected by Temperature | 25 °C (77 °F) | 100% |
| | 0 °C (32 °F) | 85% |

Self-discharge Characteristic

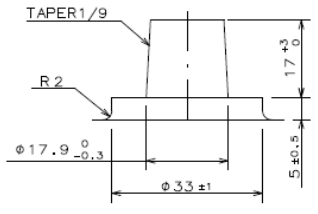
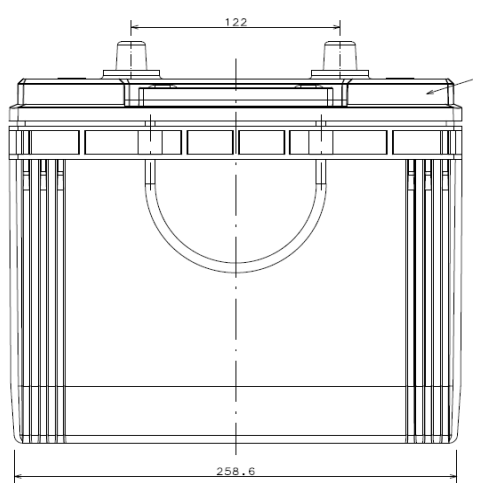
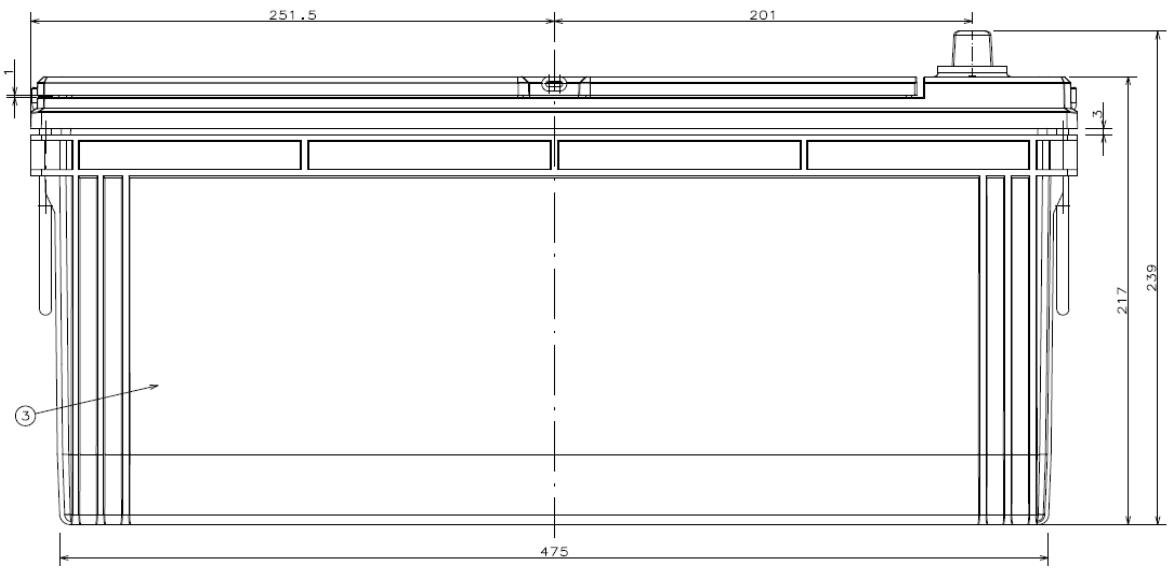
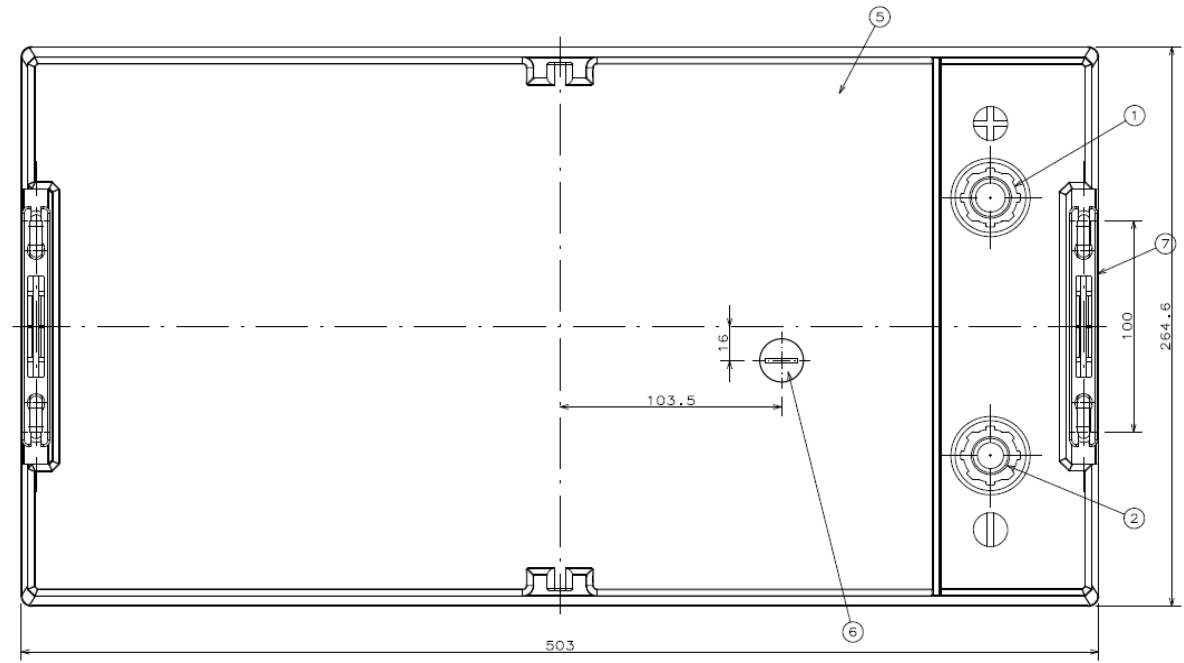


Test definition (SAE J537-2000)

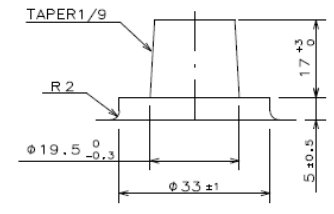
SAE CCA : The battery shall be discharged at specified SAE CCA under -18 °C. This discharge terminated when the battery voltage reaches 7.2V. The discharge time(sec.) should be longer than 30s(±0.2s).

RC : The battery shall be discharged with a current of 25A until the terminal voltage falls to 10.50V ± 0.05V. The duration (min.) of discharge shall be recorded.

Drawing



NEG TERMINAL



POS TERMINAL