



ENGLISH

Datasheet

RS PRO IP68 USB-C 3.1 – Metal



The RS PRO waterproof USB-C series of metal connectors are ruggedised connectors sealed to IP68 making them ideal for outdoor application in harsher environments. Designed to fit panel cut outs of 16mm the metal USB-C series also come with rear potting on the panel mount connectors. This ensures your panel remains sealed to an IP68 rating even when the connector is unmated, and the sealing cap is not connected. The threaded mating allows for a secure connection while the Gold-plated contacts and USB Version 3.1 ensures super-fast 10Gbps data speeds.

Features & Benefits:

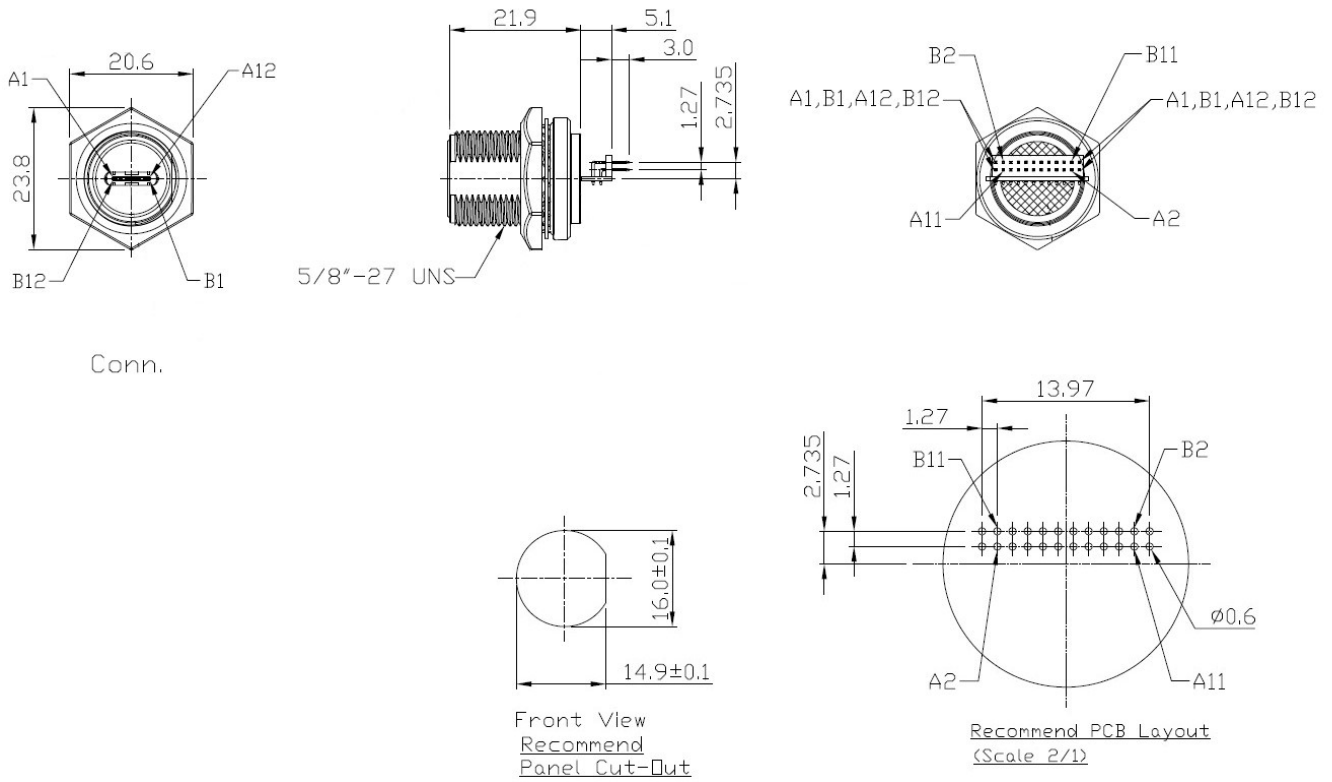
- Nickel Plated Zinc Alloy Housing
- IP68
- Rear-potted
- Threaded Mating
- USB-C 3.1
- Speeds up to 10Gbps

Quality Standards



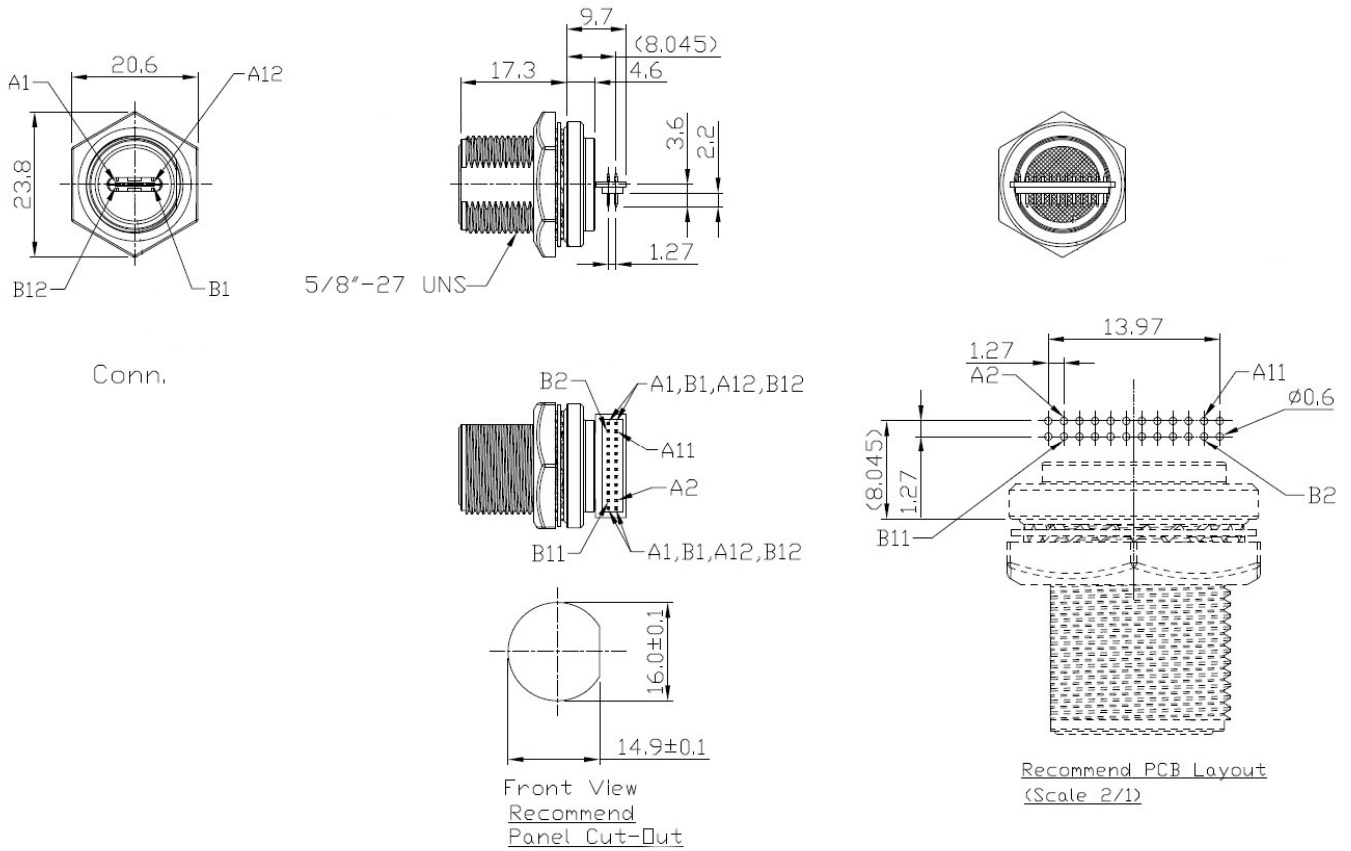
Dimensional line drawings

USB-C 3.1 Panel Mount with straight DIP 231-7950



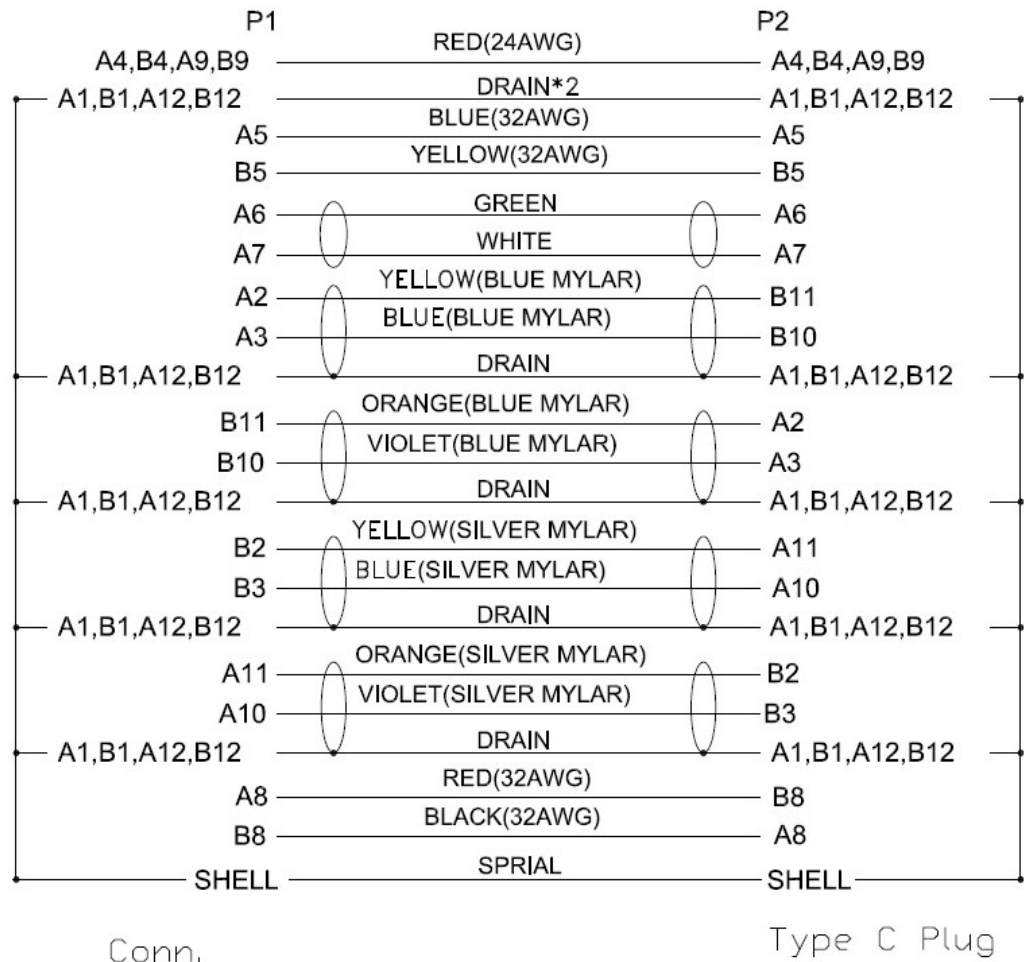
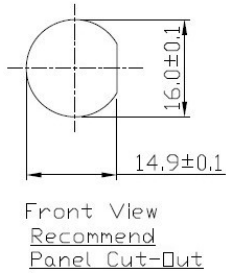
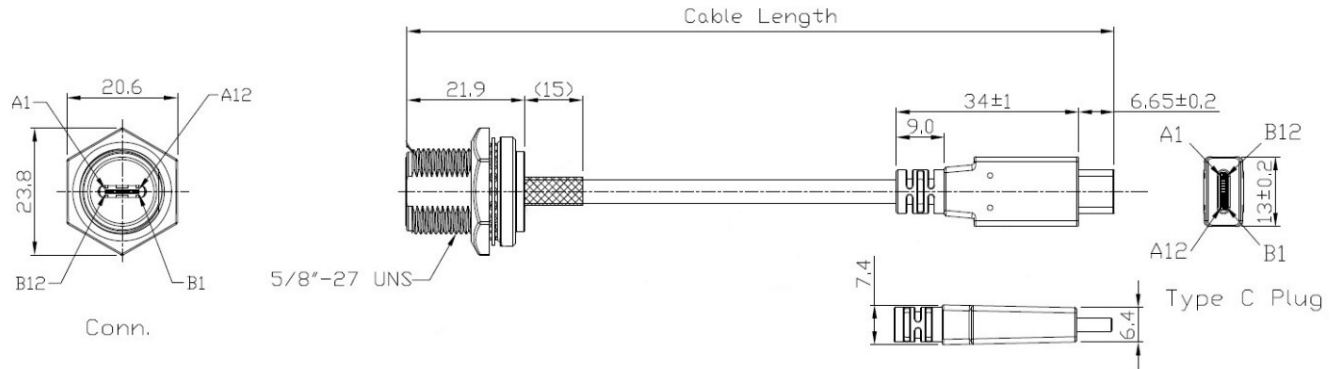
Dimensional line drawings

USB-C 3.1 Panel Mount with 90° DIP 231-7951



Dimensional line drawings

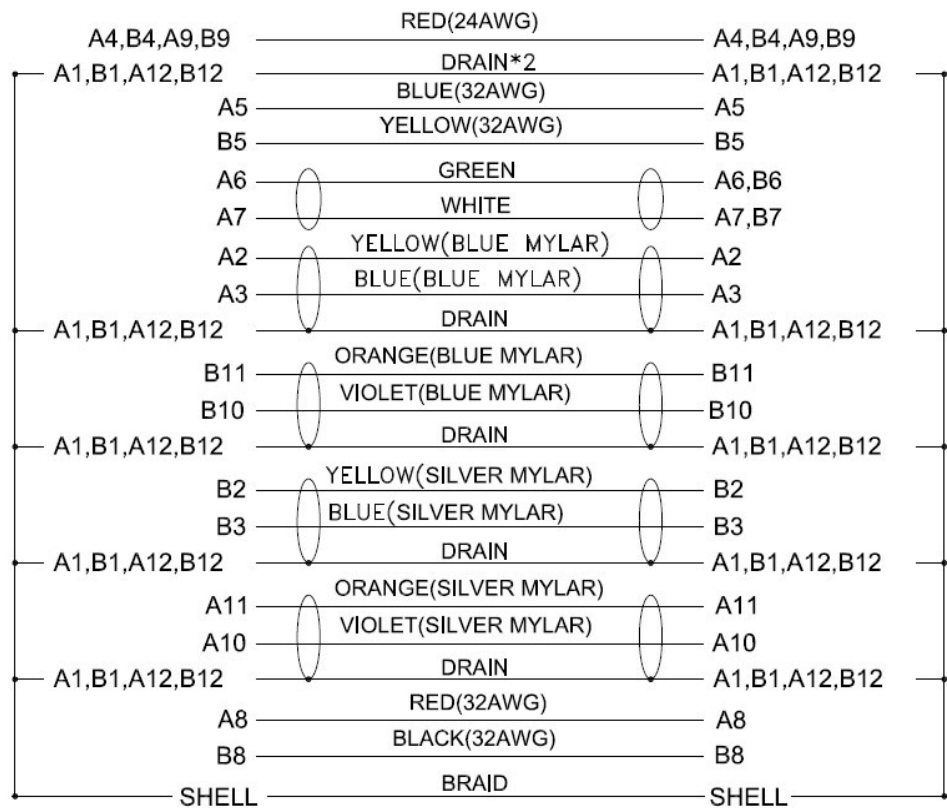
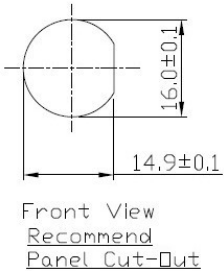
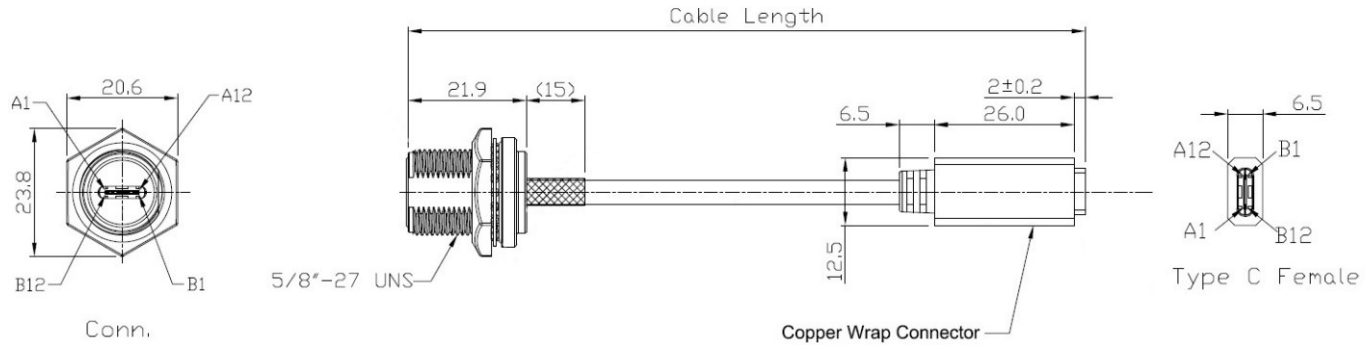
USB-C 3.1 Panel Mount with 300mm Cable and Type C Plug 231-7948



Wiring Diagram

Dimensional line drawings

USB-C 3.1 Panel Mount with 300mm Cable and Type C Socket 231-7949



Conn.

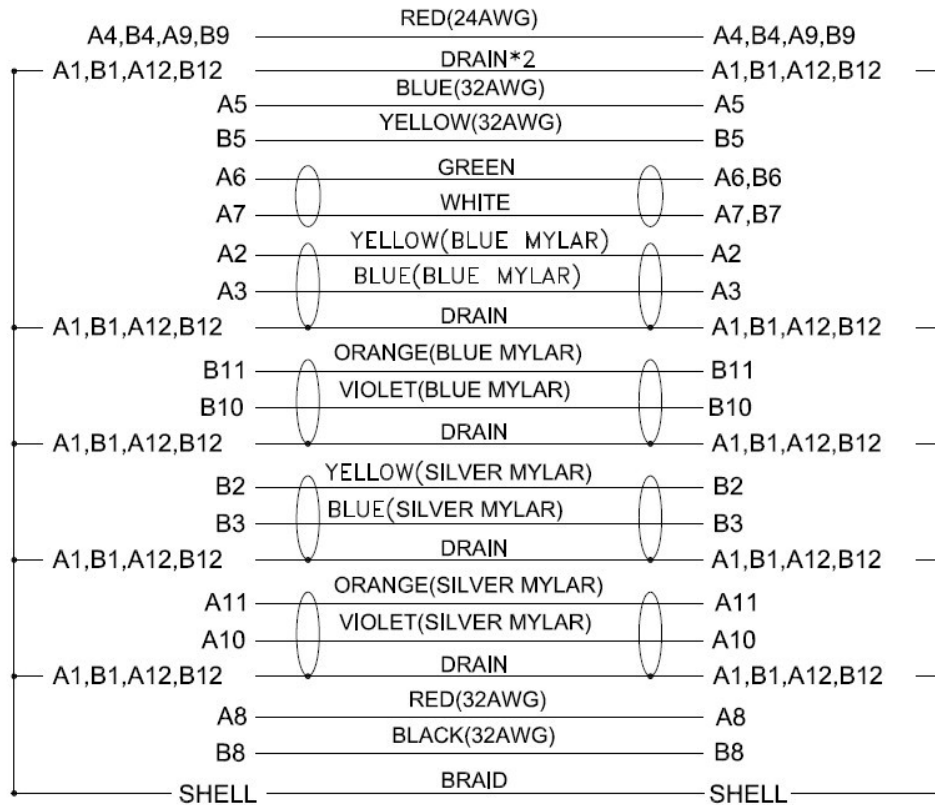
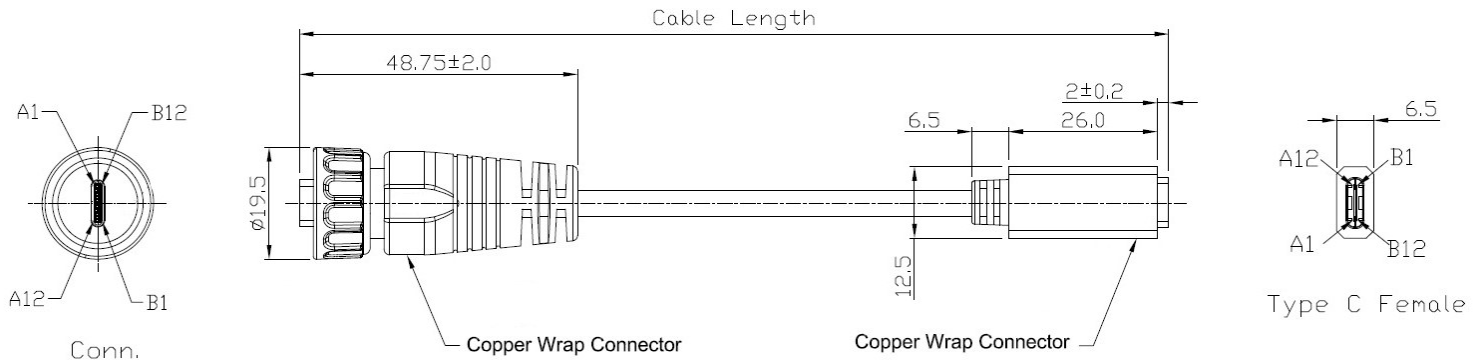
Type C Female

Wiring Diagram

Dimensional line drawings

USB-C 3.1 Cable Mount Plug with 2m Cable and Type C Socket

231-7953



Conn.

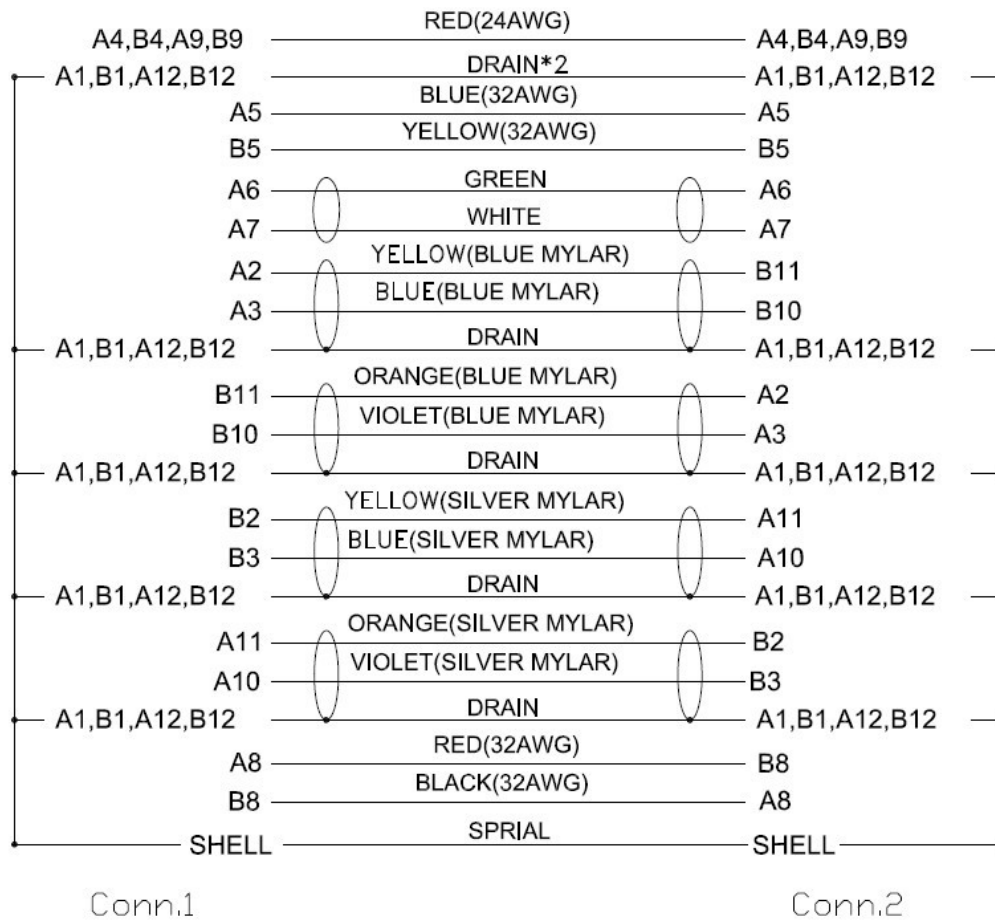
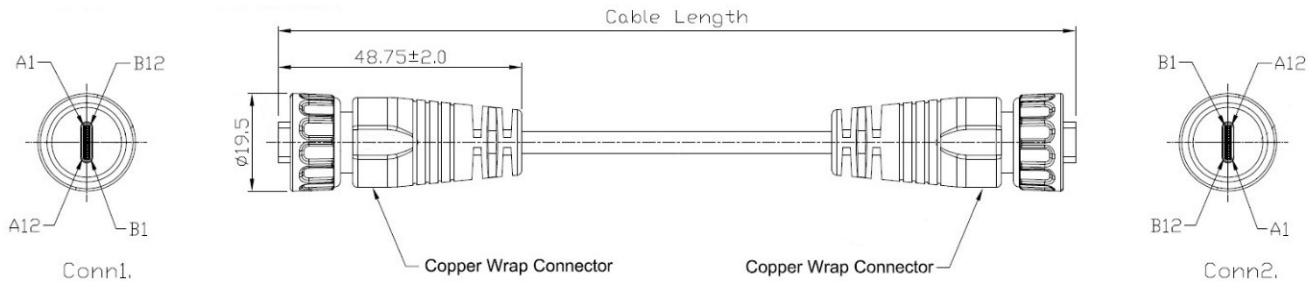
Type C Female

Wiring Diagram

Dimensional line drawings

USB-C 3.1 Cable Mount Plug with 2m Cable to Cable Mount Plug

231-7954



Wiring Diagram