



ENGLISH

Datasheet

Stock No: 285-377

RS Pro Suction Lifter



Product Details

Suction Lifters

Industrial quality for handling glass panes, synthetic panels, coated wooden panels, sheet metal, marble and ceramics etc.

Bodies manufactured from impact resistant plastic and the triple cup model has a cast aluminium body

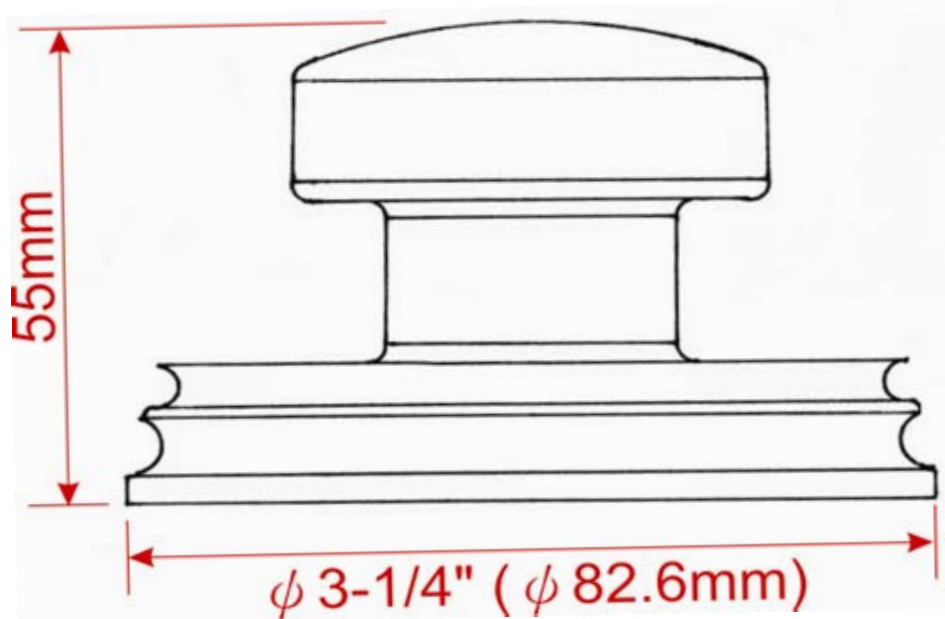
Suction Lifters & Handsaver



ENGLISH

Specifications:

Lifting Capacity	5kg
Cup Diameter	82.6mm



Capacity : 50 Lbs.