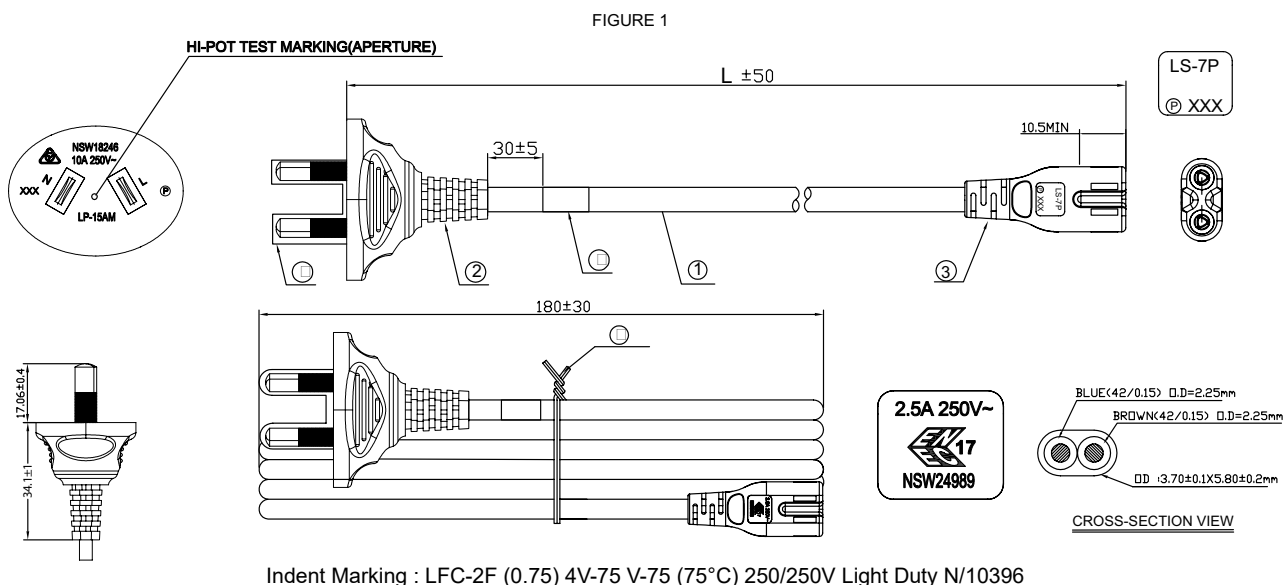


RoHS
Compliant



Dimensions : Millimetres

Notes

1. Cable : The Cord Shall Comply with AS/NZS 3112.
2. Plug : The Molded Plug Shall Comply with AS/NZS 3112
3. Connector : The Molded Connector Shall Comply with IEC60320-1 Standards (C7 Connector).
4. Color : Black
5. The Product Shall be Tested 100% for all Safety Electrical Items.

Item	Description	Quantity	U/M
1	LFC-2F 0.75mm ² 2C Black	1	EA
2	(Molded Plug) LP-15AM 10A/250V		
3	(Molded Connector) LS-7P 2.5A /250V		
4	MINI TIE		
5	SLEEVE		
6	LABEL		

Part Number Table

Description	Length	Part Number
Power Cords, IEC 60320-1 C7 to AS/NZS 3112 Plug, 1m	1000mm	MP010168
Power Cords, IEC 60320-1 C7 to AS/NZS 3112 Plug, 2m	2000mm	MP010169

Important Notice : This data sheet and its contents (the "Information") belong to the members of the AVNET group of companies (the "Group") or are licensed to it. No licence is granted for the use of it other than for information purposes in connection with the products to which it relates. No licence of any intellectual property rights is granted. The Information is subject to change without notice and replaces all data sheets previously supplied. The Information supplied is believed to be accurate but the Group assumes no responsibility for its accuracy or completeness, any error in or omission from it or for any use made of it. Users of this data sheet should check for themselves the Information and the suitability of the products for their purpose and not make any assumptions based on information included or omitted. Liability for loss or damage resulting from any reliance on the Information or use of it (including liability resulting from negligence or where the Group was aware of the possibility of such loss or damage arising) is excluded. This will not operate to limit or restrict the Group's liability for death or personal injury resulting from its negligence. Multicomp Pro is the registered trademark of Premier Farnell Limited 2019.