



Specifications

Electrical

Contact Rating : Silver : 3A at 120V AC or 28V DC, 1A at 250V AC
 Max. Contact Resistance : 20mΩ
 Min. Insulation Resistance : 1,000MΩ at 500V DC
 Dielectric Strength : 1,000Vrms

Mechanical




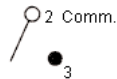
Life : 40,000 cycles

Environmental

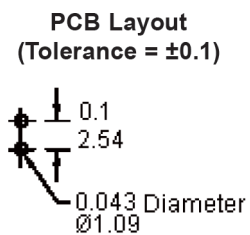
Operating Temperature : -30°C to +85°C

Material

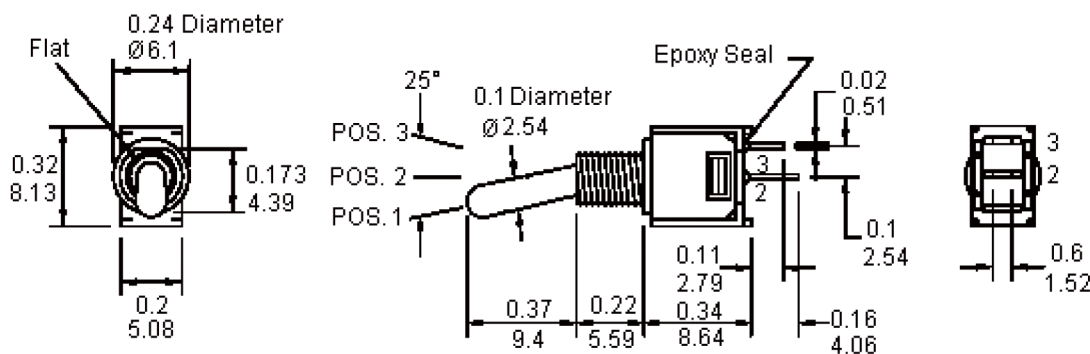
Case : DAP
 Housing : Stainless steel
 Actuator : Brass, chrome plated
 Bushing : Brass, nickel plated
 Support : Brass, tin plated
 Contact / Terminals : Copper Alloy, Silver Plated

Model No.	Switching Position		
			
SPC21219	ON	NONE	OPEN
Conn. Terms	2-3	OPEN	OPEN
Schematic			

For PC Mount Termination Only

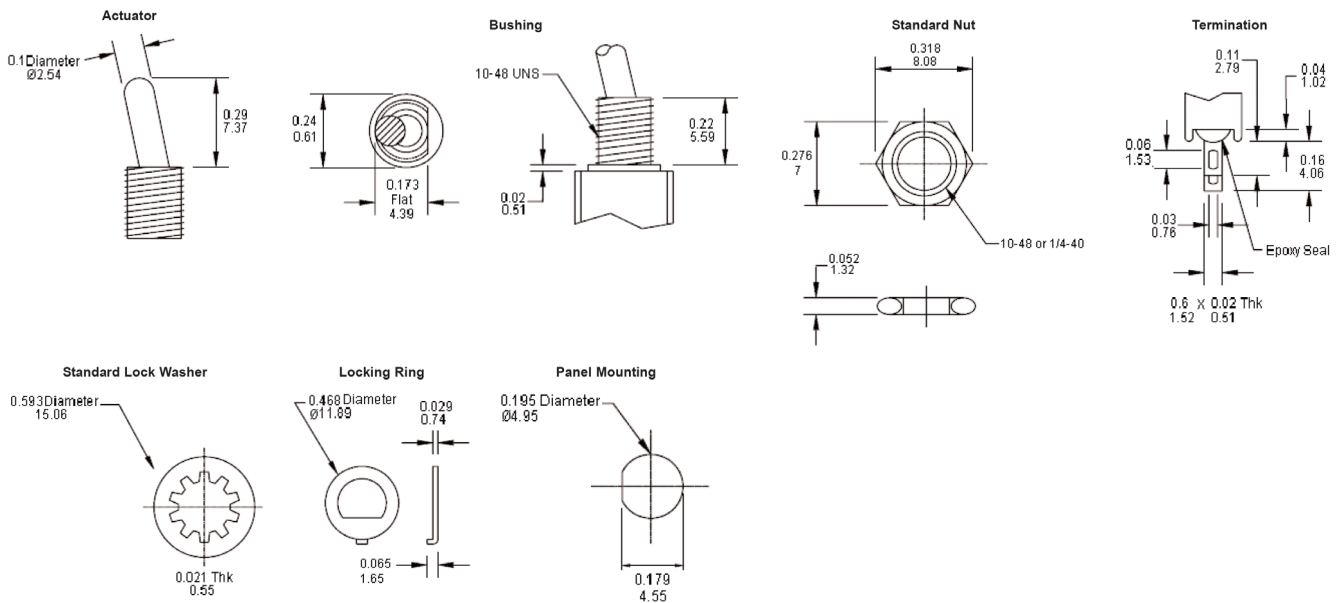


Diagram



Dimensions : Inches (Millimetres)

Toggle Switches



Part Number Table

Description	Part Number
Toggle Switch, On-Off, SPST, Non Illuminated, 5A, Panel Mount	SPC21219

Dimensions : Inches (Millimetres)

Important Notice : This data sheet and its contents (the "Information") belong to the members of the AVNET group of companies (the "Group") or are licensed to it. No licence is granted for the use of it other than for information purposes in connection with the products to which it relates. No licence of any intellectual property rights is granted. The Information is subject to change without notice and replaces all data sheets previously supplied. The Information supplied is believed to be accurate but the Group assumes no responsibility for its accuracy or completeness, any error in or omission from it or for any use made of it. Users of this data sheet should check for themselves the Information and the suitability of the products for their purpose and not make any assumptions based on information included or omitted. Liability for loss or damage resulting from any reliance on the Information or use of it (including liability resulting from negligence or where the Group was aware of the possibility of such loss or damage arising) is excluded. This will not operate to limit or restrict the Group's liability for death or personal injury resulting from its negligence. Multicomp Pro is the registered trademark of Premier Farnell Limited 2019.