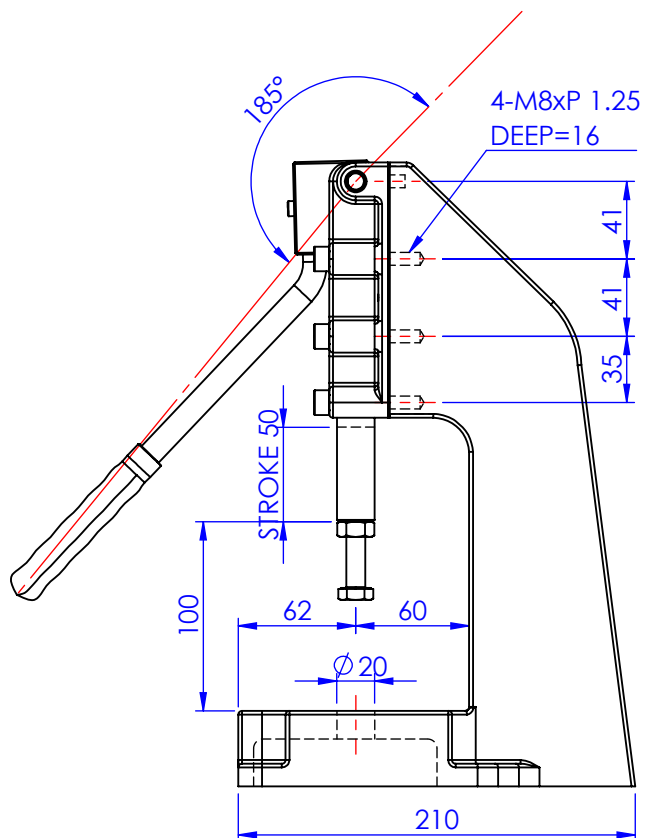
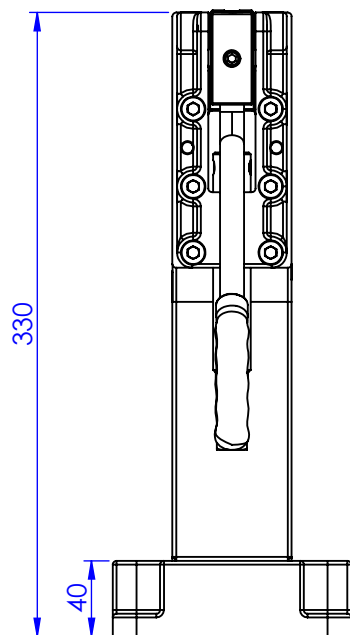
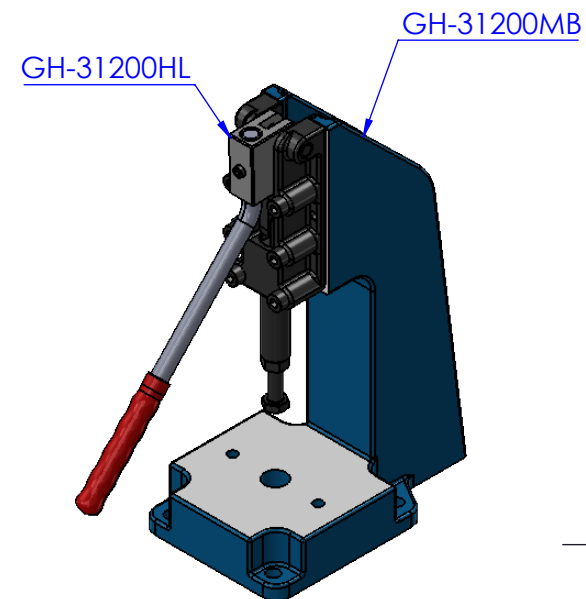
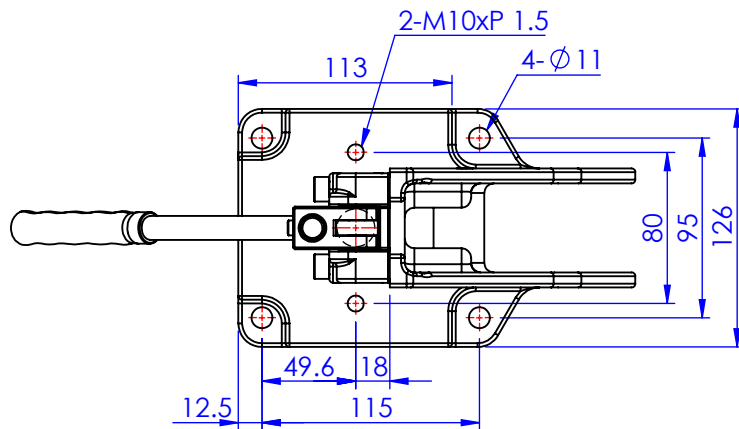
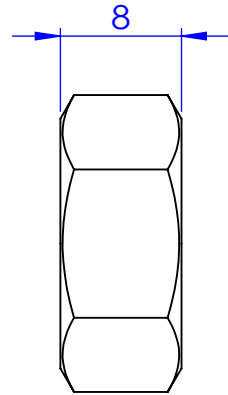
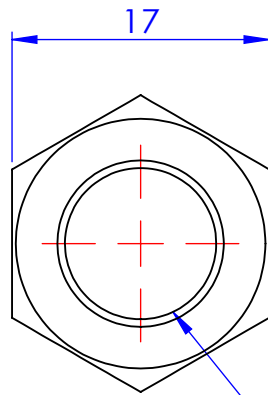
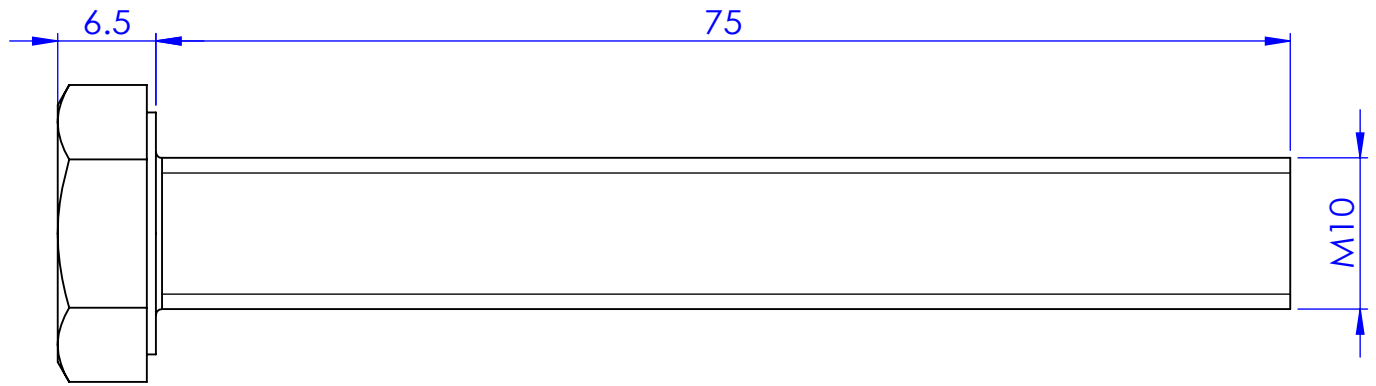
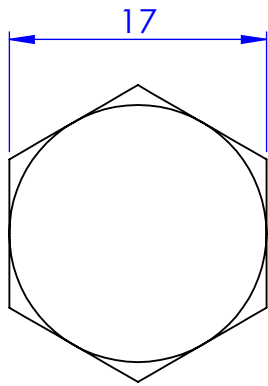


Part No:	254850
Holding Capacity:	1200Kg
Plunger Stroke:	50 mm
Handle Opens:	185°
Weight:	8.55Kg
Spindle Supplied:	M10x75 (page 2)



Unit:mm  
Scale: 1:4



M10x1.5

Unit:mm  
Scale: 2:1