



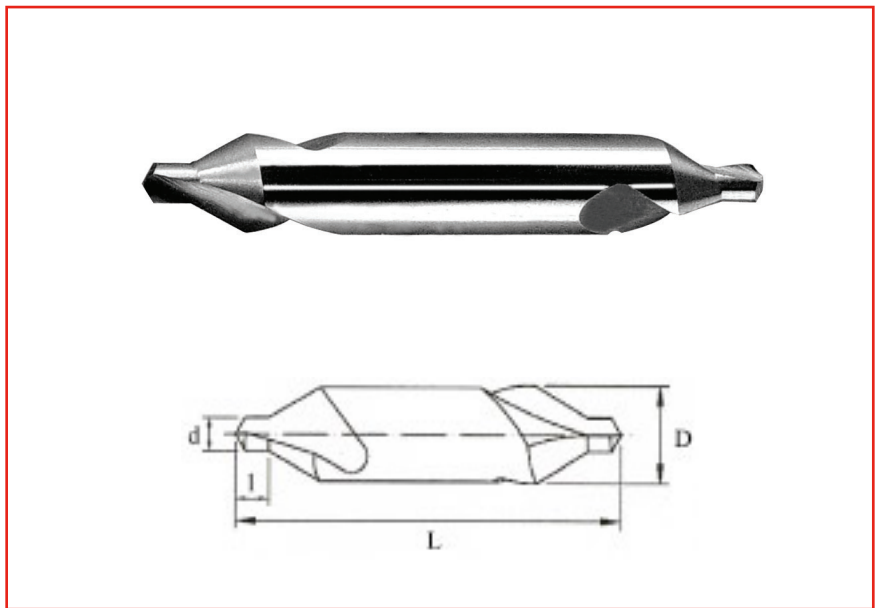
ENGLISH

Datasheet

RS Pro Centre Drills

BS Style: BS 328 / DIN 333A / ISO 866

RS Stock No: 408-7938



Specifications:

Produces conical centre holes in components which require machining between centres or a centre support to provide rigidity

Countersink angle: 60°

Point geometry: 120°

Right hand cutting

Silver finish

Supplied in plastic pack

RS Code	Manufacturers Code	Size	d (inch)	D (inch)	i (inch)	L (inch)
408-7938	22-100-003	BS3	3/32	1/4	1/8	2