



ENGLISH

Datasheet

RS Article:1854718

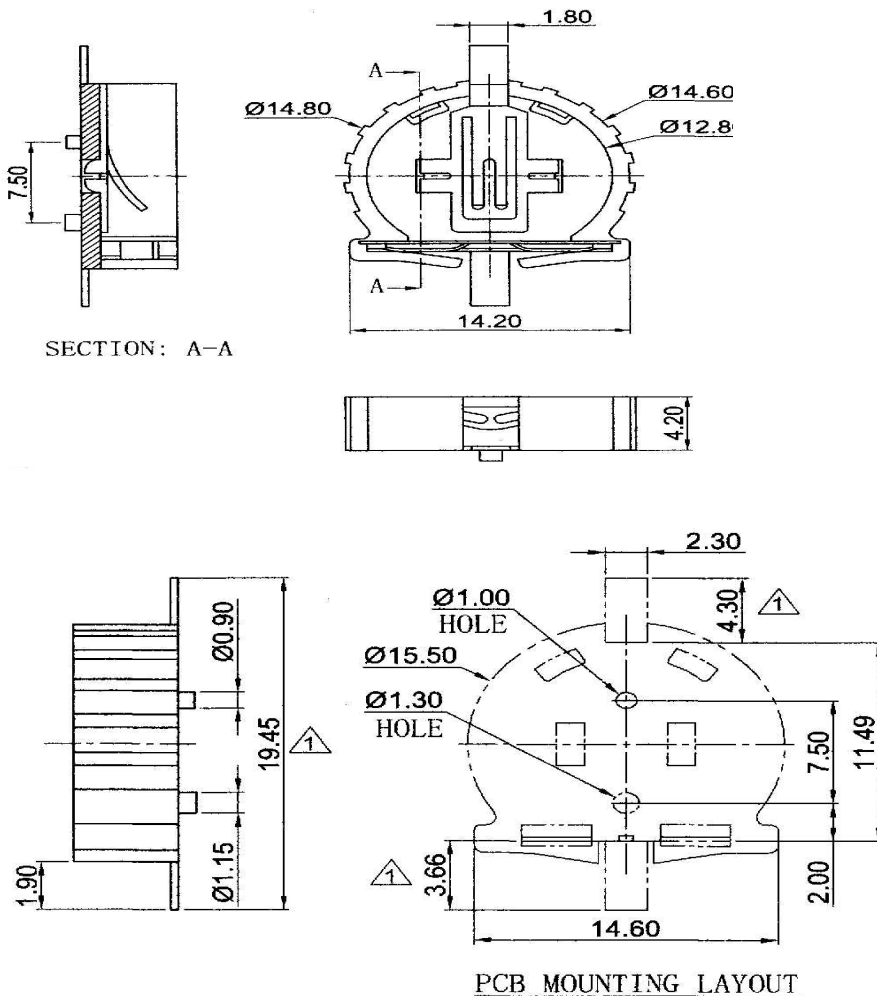
RS Pro Battery Holder



1. Preface:

The purpose of this product specification is to Dimension and drawing

CR1220



NOTES:

1. MATERIAL:

HOUSING : PPS UL 94V0

CONTACT : PHOSPHOR BRONZE 0.2 THK

GOLD PLATED OVER NICKEL

2. CONTACT RESISTANCE : 30 MILLIOHMS MAX

3. INSULATION RESISTANCE : 1000 MEGA OHMS MIN

4. DIELECTRIC VOLTAGE : 500V ONE SEC LEVEL

5. OPERATING TEMPERATURE : -55 °C ~105 °C

6. RoHS COMPLIANT

Measure: mm