

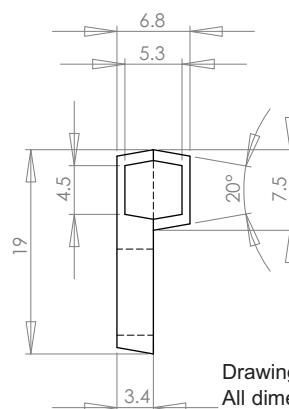
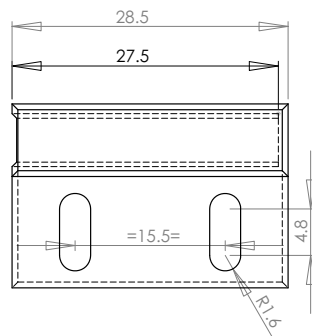
# Datasheet

Rectangular Encapsulated Magnet  
Part Number : 811-0745

## PICTURE



## DIMENSIONS



Drawings not to scale  
All dimensions in mm nominal

✓ RoHS Compliant

## SPECIFICATION

Length	mm	28.5
Width	mm	19
Depth	mm	6.8
Case Material		Glass filled Nylon
Gauss Strength at Surface (Typical)		1100
Operating Temperature (Max)	Celcius	115

## Applications Include

- Position and limit sensing.
- Linear actuators.
- Security system switch.
- Door Switch.

## Options

- Available in various plastic materials.
- Customised Gauss strengths available.
- If you do not see what you need, just ask, as there is a strong possibility we can do it !