

Ref.2074 COBRA 2

CONSTRUCTION

PLATFORMS

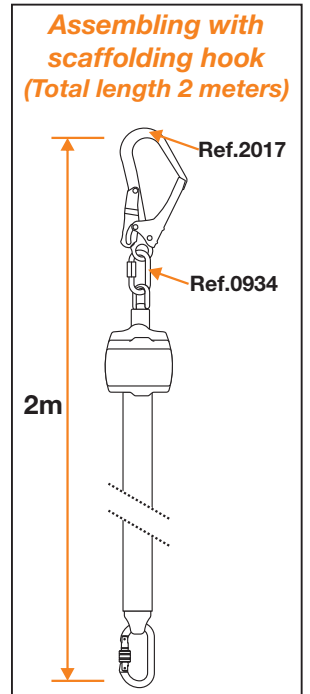
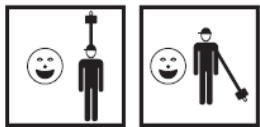
Self-retracting fall arrester certified for use overhead or at foot level with fall factor up to 2.

Maximum length of 165 cm without connectors (200 cm is the maximum allowed length with connectors).

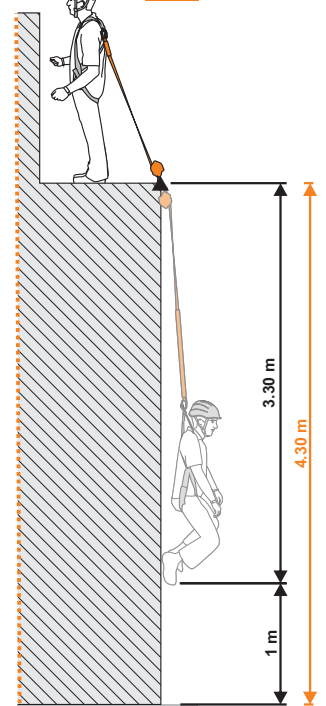
46 mm polyester webbing with a breaking strength of 15 kN is protected by a durable ABS cover.

Complete with locking steel connector and integrated shock absorber.

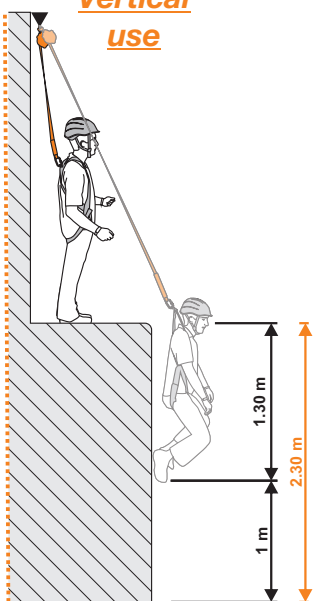
In fall factor 2 situations it permits to reduce clearance distance (4.3 m instead of 6.1 m of normal shock absorbing lanyards).



Fall factor 2 use



Vertical use



Ref.	Product name Nombre del producto	Weight Peso			CE EN 360	EAC
		kg	lb	oz		
2074	COBRA 2 m	1.025	2	4	•	•