

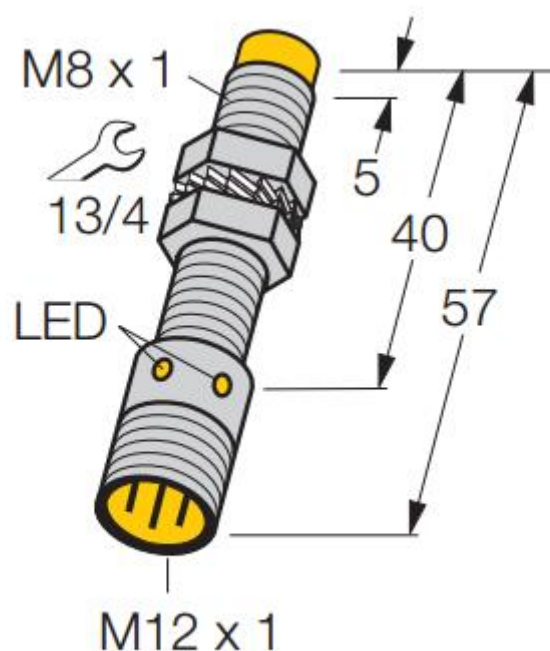
Datasheet

4 mm PNP Barrel Inductive Proximity Sensor, M8 x 1, 150 mA, 10 → 30 V dc, IP68

RS Stock number 208-083



Dimensions: (mm)



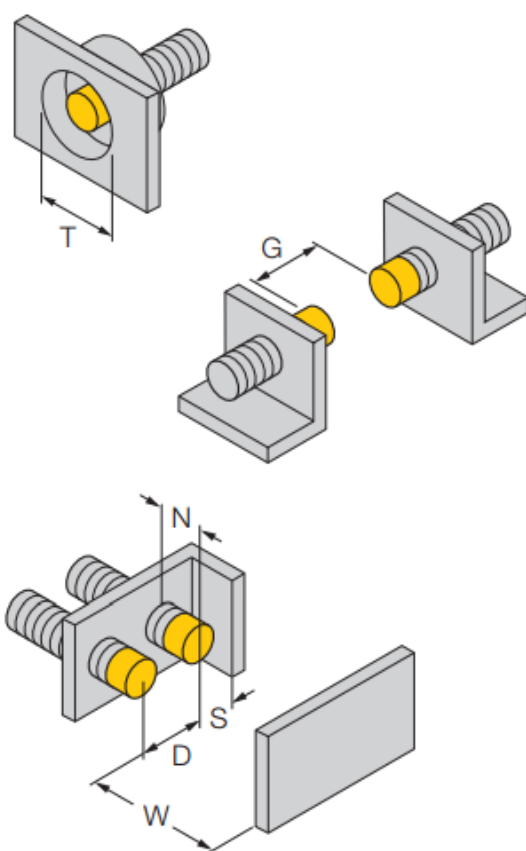
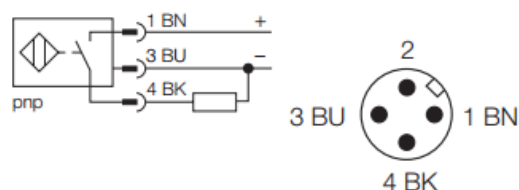
- threaded barrel, M8 x 1
- stainless steel, 1.4404
- factor 1 for all metals
- degree of protection IP68
- magnetic field immune
- extended temperature range
- high switching frequency
- 3-wire DC, 10...30 VDC
- normally open, pnp output
- connector, M12 x 1

Specification

Rated operating distance Sn	4 mm
Mounting condition	non-flush
Assured switching distance	$\leq (0,81 \times S_n)$ mm
Repeatability	$\leq 2 \%$
Temperature drift	$\leq \pm 10 \%$ $\leq \pm 15 \%$, $\leq -25 \text{ °C}$ v $\geq +70 \text{ °C}$
Hysteresis	3... 15 %
Ambient temperature	-30...+ 85 °C
Operating voltage	10... 30 VDC
Residual ripple	$\leq 10 \%$ U_{SS}
DC rated operational current	≤ 150 mA
No-load current I_0	≤ 15 mA
Residual current	≤ 0.1 mA
Rated insulation voltage	≤ 0.5 kV
Short-circuit protection	yes / cyclic
Voltage dip at I_e	≤ 1.8 V
Wire breakage / Reverse polarity protection	yes / complete
Output function	3-wire, normally open, pnp
Insulation class	□
Switching frequency	≤ 2 kHz
Housing	threaded barrel, M8 x 1
Dimensions	57 mm
Housing material	metal, A4 1.4404 (AISI 316L)
Material active area	plastic, PA12-GF20
Tightening torque of housing nut	10 Nm
Connection	Connector, M12 x 1
Vibration resistance	55 Hz (1 mm)
Shock resistance	30g (11 ms)
Degree of protection	IP68
Display switch state	LED yellow

Mounting instructions

	minimum distances
Distance D	4 x B
Distance W	3 x Sn
Distance T	32 mm
Distance S	1,5 x B
Distance G	6 x Sn
Distance N	2 x Sn

Diameter of the active area B
 $\varnothing 8 \text{ mm}$

Wiring diagram

Functional principle

Inductive sensors are designed for wear-free and non-contact detection of metal objects. Due to a ferrite-less 3-coil system, uprox factor 1 sensors have distinct advantages. They detect all metals at the same switching distance, are magnetic field immune and feature large switching distances.