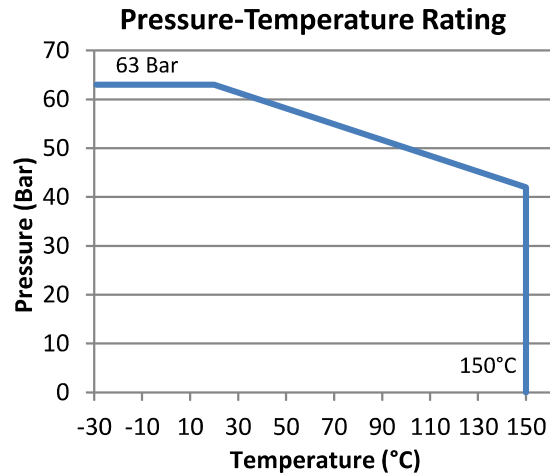
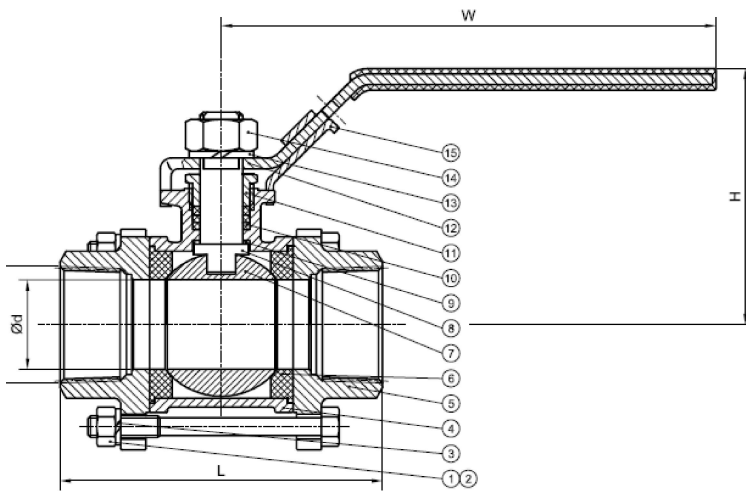


## 3 Piece Ball Valves

### Features

- 3 PC Body Design
- Full Bore, Quarter Turn Operation
- Sizes: 1/4" – 4" (DN8 – DN100)
- Working Pressure: 1000 WOG
- Threaded End: BSPP, NPT or Socket Welding End
- Applicable Medium: General Oil, Gas & Water Applications
- Blow-out Proof Stem Design
- Temperature: -20 Deg C to 120 Deg C



### Material List

No.	Part Name	Material	No.	Part Name	Material
1	Bolt	A193 B8	9	Thrust Washer	PTFE
2	Bolt Nut	A194 8	10	Stem Packing	PTFE
3	Bolt Washer	65Mn	11	Gland	AISI 304
4	Body	CF8M	12	Handle	AISI 201
5	Body Connector	CF8M	13	Wrench Washer	AISI 304
6	Seat Ring	PTFE	14	Handle Nut	AISI 304
7	Ball	CF8M	15	Locking Device	AISI 304
8	Stem	AISI 316			

**Ordering Information**

VL - S - B3 - G - 1000 - 08  
 I II III IV V VI

**I Type of Item**

VL Low Pressure Valves

**II Material Grade**

S SS316, CF8M CI Cast Iron  
 FS Forged Steel CS Cast Steel  
 B Brass

**III Item**

GA Gate Valve B1 1 PC Ball Valve  
 GL Globe Valve B2 2 PC Ball Valve  
 YS Y-Strainer B3 3 PC Ball Valve  
 SC Swing Check Valve BL 3 Way Ball Valve L Port  
 VC Vertical Check Valve BT 3 Way Ball Valve T Port  
 WC Wafer Check Valve BMF Male x Female Mini Ball Valve  
 DD Dual Disk BU Butterfly Valve

**IV Connection Type**

SW S/W G BSPP  
 BW B/W N NPT  
 R BSPT F Flange End  
 W Wafer L Lug

**V Pressure**

200 200 PSI 2000 2000 PSI  
 300 300 PSI 150 ANSI 150# Flange Standard  
 600 600 PSI 10K JIS 10K Flange Standard  
 800 800 PSI PN16 PN 16 Flange Standard  
 1000 1000 PSI

**For Inch OD & Inch NB Sizes**

**VI Size**

Size	1/8"	1/4"	5/16"	3/8"	1/2"	5/8"	3/4"	1"
Code	02	04	05	06	08	10	12	16
Size	1 1/4"	1 1/2"	2"	2 1/2"	3"	4"	5"	6"
Code	20	24	32	40	48	64	80	96

**VII Coating**

(None) No Additional Coating  
 NI Nickel Plating

**Dimension List for BSPP, NPT, Socket Weld End Valve 1000 PSI**

<b>NPS</b>	<b>Connection</b>	<b>Impa Code</b>	<b>Part No</b>	<b>d</b>	<b>L</b>	<b>H</b>	<b>W</b>	<b>Weight (Kg)</b>
1/4"	BSPP	-	VL-S-B3-G-1000-04	10	66	45	100	0.30
3/8"	BSPP	-	VL-S-B3-G-1000-06	12	66	45	100	0.30
1/2"	BSPP	-	VL-S-B3-G-1000-08	15	73	53	104	0.51
3/4"	BSPP	-	VL-S-B3-G-1000-12	20	79.5	58	118	0.73
1"	BSPP	-	VL-S-B3-G-1000-16	25	86.5	68	145	0.91
1 1/4"	BSPP	-	VL-S-B3-G-1000-20	32	108	81	162	1.56
1 1/2"	BSPP	-	VL-S-B3-G-1000-24	38	118	85	180	1.86
2"	BSPP	-	VL-S-B3-G-1000-32	50	144	92	180	2.98
2 1/2"	BSPP	-	VL-S-B3-G-1000-40	65	180	115	224	6.65
3"	BSPP	-	VL-S-B3-G-1000-48	80	209	130	242	7.70
4"	BSPP	-	VL-S-B3-G-1000-64	100	265	125	300	17.79
1/4"	NPT	-	VL-S-B3-N-1000-04	10	66	45	100	0.41
3/8"	NPT	-	VL-S-B3-N-1000-06	12	66	45	100	0.60
1/2"	NPT	-	VL-S-B3-N-1000-08	15	73	53	104	0.51
3/4"	NPT	-	VL-S-B3-N-1000-12	20	79.5	58	118	0.73
1"	NPT	-	VL-S-B3-N-1000-16	25	86.5	68	145	0.91
1 1/4"	NPT	-	VL-S-B3-N-1000-20	32	108	81	162	1.56
1 1/2"	NPT	-	VL-S-B3-N-1000-24	38	118	85	180	1.86
2"	NPT	-	VL-S-B3-N-1000-32	50	144	92	180	2.98
2 1/2"	NPT	-	VL-S-B3-N-1000-40	65	180	115	224	6.65
3"	NPT	-	VL-S-B3-N-1000-48	80	209	130	242	7.70
4"	NPT	-	VL-S-B3-N-1000-64	100	265	125	300	17.79
1/4"	SW	-	VL-S-B3-SW-1000-04	10	66	45	100	-
3/8"	SW	-	VL-S-B3-SW-1000-06	12	66	45	100	-
1/2"	SW	-	VL-S-B3-SW-1000-08	15	73	53	104	0.51
3/4"	SW	-	VL-S-B3-SW-1000-12	20	79.5	58	118	0.73
1"	SW	-	VL-S-B3-SW-1000-16	25	86.5	68	145	0.91
1 1/4"	SW	-	VL-S-B3-SW-1000-20	32	108	81	162	1.55
1 1/2"	SW	-	VL-S-B3-SW-1000-24	38	118	85	180	1.85
2"	SW	-	VL-S-B3-SW-1000-32	50	144	92	180	3.54
2 1/2"	SW	-	VL-S-B3-SW-1000-40	65	180	115	224	6.38
3"	SW	-	VL-S-B3-SW-1000-48	80	209	130	242	10.07
4"	SW	-	VL-S-B3-SW-1000-64	100	265	125	300	-

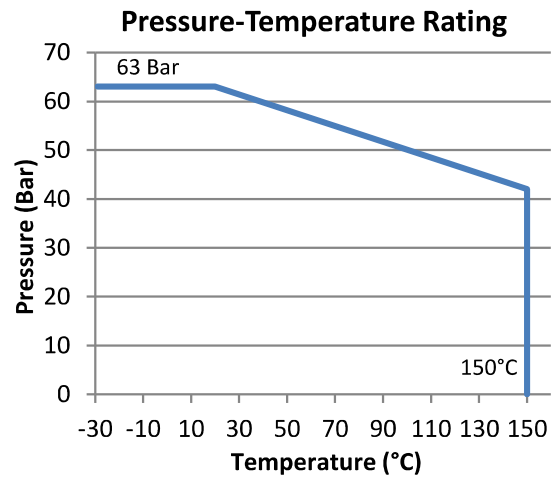
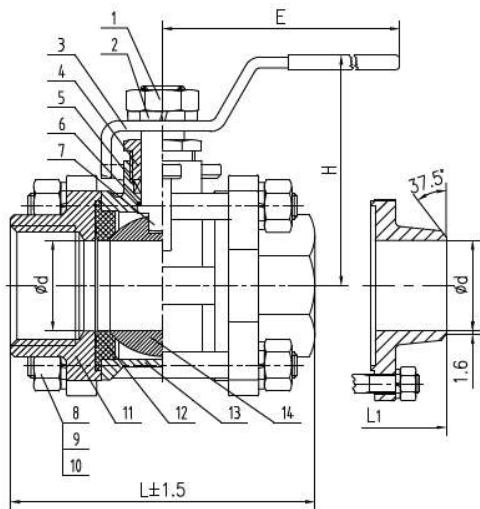
**Part Number Reference for BSPP, NPT, Socket Weld End Valve 1000 PSI**

<b>Impa Code</b>	<b>Part No</b>	<b>Description</b>
-	VL-S-B3-G-1000-04	1/4"BSPP SS316 3 PC BALL VALVE (1000 WOG)
-	VL-S-B3-G-1000-06	3/8"BSPP SS316 3 PC BALL VALVE (1000 WOG)
-	VL-S-B3-G-1000-08	1/2"BSPP SS316 3 PC BALL VALVE (1000 WOG)
-	VL-S-B3-G-1000-12	3/4"BSPP SS316 3 PC BALL VALVE (1000 WOG)
-	VL-S-B3-G-1000-16	1"BSPP SS316 3 PC BALL VALVE (1000 WOG)
-	VL-S-B3-G-1000-20	1 1/4"BSPP SS316 3 PC BALL VALVE (1000 WOG)
-	VL-S-B3-G-1000-24	1 1/2"BSPP SS316 3 PC BALL VALVE (1000 WOG)
-	VL-S-B3-G-1000-32	2"BSPP SS316 3 PC BALL VALVE (1000 WOG)
-	VL-S-B3-G-1000-40	2 1/2"BSPP SS316 3 PC BALL VALVE (1000 WOG)
-	VL-S-B3-G-1000-48	3"BSPP SS316 3 PC BALL VALVE (1000 WOG)
-	VL-S-B3-G-1000-64	4"BSPP SS316 3 PC BALL VALVE (1000 WOG)
-	VL-S-B3-N-1000-04	1/4"NPT SS316 3 PC BALL VALVE (1000 WOG)
-	VL-S-B3-N-1000-06	3/8"NPT SS316 3 PC BALL VALVE (1000 WOG)
-	VL-S-B3-N-1000-08	1/2"NPT SS316 3 PC BALL VALVE (1000 WOG)
-	VL-S-B3-N-1000-12	3/4"NPT SS316 3 PC BALL VALVE (1000 WOG)
-	VL-S-B3-N-1000-16	1"NPT SS316 3 PC BALL VALVE (1000 WOG)
-	VL-S-B3-N-1000-20	1 1/4"NPT SS316 3 PC BALL VALVE (1000 WOG)
-	VL-S-B3-N-1000-24	1 1/2"NPT SS316 3 PC BALL VALVE (1000 WOG)
-	VL-S-B3-N-1000-32	2"NPT SS316 3 PC BALL VALVE (1000 WOG)
-	VL-S-B3-N-1000-40	2 1/2"NPT SS316 3 PC BALL VALVE (1000 WOG)
-	VL-S-B3-N-1000-48	3"NPT SS316 3 PC BALL VALVE (1000 WOG)
-	VL-S-B3-N-1000-64	4"NPT SS316 3 PC BALL VALVE (1000 WOG)
-	VL-S-B3-SW-1000-04	1/4" S/W SS316 3 PC BALL VALVE (1000 WOG)
-	VL-S-B3-SW-1000-06	3/8" S/W SS316 3 PC BALL VALVE (1000 WOG)
-	VL-S-B3-SW-1000-08	1/2" S/W SS316 3 PC BALL VALVE (1000 WOG)
-	VL-S-B3-SW-1000-12	3/4" S/W SS316 3 PC BALL VALVE (1000 WOG)
-	VL-S-B3-SW-1000-16	1" S/W SS316 3 PC BALL VALVE (1000 WOG)
-	VL-S-B3-SW-1000-20	1 1/4" S/W SS316 3 PC BALL VALVE (1000 WOG)
-	VL-S-B3-SW-1000-24	1 1/2" S/W SS316 3 PC BALL VALVE (1000 WOG)
-	VL-S-B3-SW-1000-32	2" S/W SS316 3 PC BALL VALVE (1000 WOG)
-	VL-S-B3-SW-1000-40	2 1/2" S/W SS316 3 PC BALL VALVE (1000 WOG)
-	VL-S-B3-SW-1000-48	3" S/W SS316 3 PC BALL VALVE (1000 WOG)
-	VL-S-B3-SW-1000-64	4" S/W SS316 3 PC BALL VALVE (1000 WOG)

## 3 Piece Ball Valves

### Features

- 3 PC Body Design
- Full Bore, Quarter Turn Operation
- Sizes: 3/8" – 4" (DN10 – DN100)
- Working Pressure: 1000 WOG
- Butt Welding End
- Applicable Medium: General Oil, Gas & Water Applications
- Blow-out Proof Stem Design
- Temperature: -20 Deg C to 120 Deg C



### Material List

No.	Part Name	Material	No.	Part Name	Material
1	Nut	304	9	Spring Washer	304
2	Spring Washer	304	10	Nut	304
3	Handle	201	11	Cap	CF8/ CF8M
4	Gland Nut	304	12	Seat	PTRE/ RPTFE
5	Packing	PTFE	13	Body	CF8/ CF8M
6	Thrust Washer	PTFE	14	Ball	304/316
7	Stem	304/316			
8	Bolt	304			

**Ordering Information**

VL - S - B3 - BW - 1000 - 08  
 I II III IV V VI

**I Type of Item**

VL Low Pressure Valves

**II Material Grade**

S SS316, CF8M CI Cast Iron  
 FS Forged Steel CS Cast Steel  
 B Brass

**III Item**

GA Gate Valve B1 1 PC Ball Valve  
 GL Globe Valve B2 2 PC Ball Valve  
 YS Y-Strainer B3 3 PC Ball Valve  
 SC Swing Check Valve BL 3 Way Ball Valve L Port  
 VC Vertical Check Valve BT 3 Way Ball Valve T Port  
 WC Wafer Check Valve BMF Male x Female Mini Ball Valve  
 DD Dual Disk BU Butterfly Valve

**IV Connection Type**

SW S/W G BSPP  
 BW B/W N NPT  
 R BSPT F Flange End  
 W Wafer L Lug

**V Pressure**

200 200 PSI 2000 2000 PSI  
 300 300 PSI 150 ANSI 150# Flange Standard  
 600 600 PSI 10K JIS 10K Flange Standard  
 800 800 PSI PN16 PN 16 Flange Standard  
 1000 1000 PSI

**For Inch OD & Inch NB Sizes**

**VI Size**

Size	1/8"	1/4"	5/16"	3/8"	1/2"	5/8"	3/4"	1"
Code	02	04	05	06	08	10	12	16
Size	1 1/4"	1 1/2"	2"	2 1/2"	3"	4"	5"	6"
Code	20	24	32	40	48	64	80	96

**VII Coating**

(None) No Additional Coating  
 NI Nickel Plating