

**RoHS
Compliant**



Features

- 1000V DC automotive fuse
- Rated Current: 5A - 30A (10mm×38mm)
35A - 50A (14mm×51mm)
60A (14mm×65mm)
10A - 80A (22mm×65mm)
- Max. BC: 30 kA @ 1000V DC
- Max. BC: 50 kA @ 1000V DC (22mm×65mm)
- Min. BC: 2In @ 1000V DC
- Time Constant: 2 ± 0.5ms
- Size: 10mm × 38mm, 14mm × 51mm, 14mm × 65mm, 22mm × 65mm

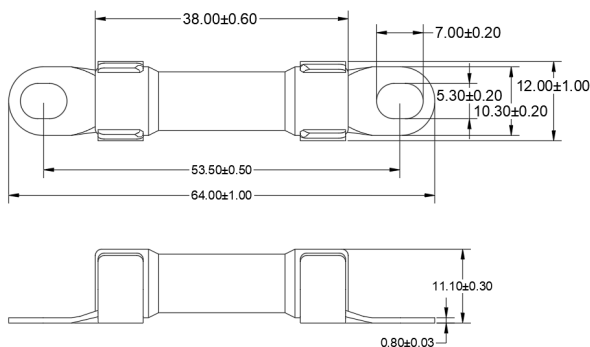
Agency Information

- Ref. to UL 248-20, ISO 8820-8, JASO D622, GB/T31465.6
- Manufactured under IATF 16949 quality system

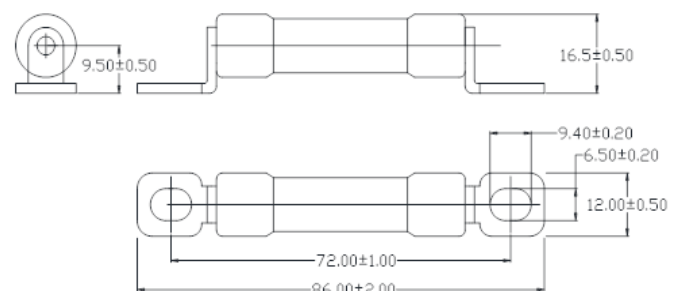
Specification Table

Part Number	Rated Current	Ampere Code	Rated Voltage	Breaking Capacity	I2t (A2s)		Dissipation (W)	
					Pre-Arcing	Total	0.7 In	1.0 In
MP012351	10A	2100	1000V DC	30 kA@1000V DC	160	255	1	2
MP012352	20A	2200			590	1800	1.8	3.1
MP012353	30A	2300			1080	5070	2	4.5
MP012354	50A	2500			6380	17.6K	2.3	7.5

Diagram



MP012351 / MP012352 / MP012353

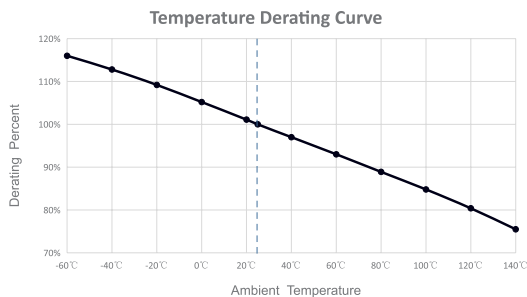
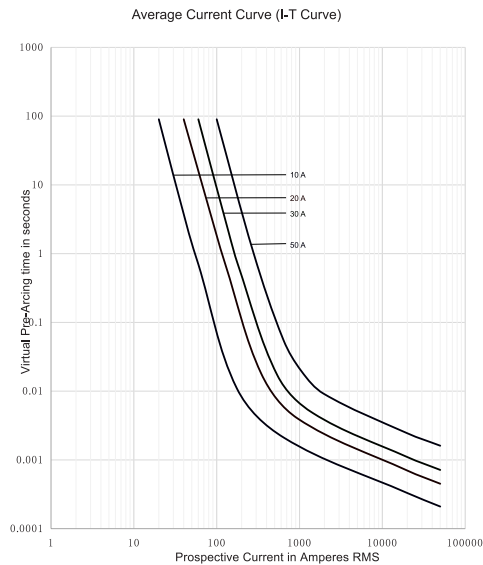
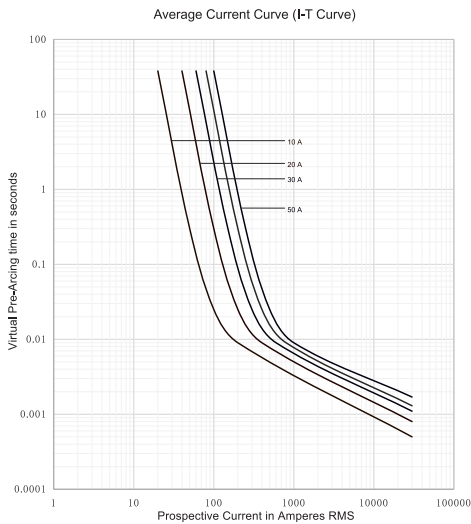


MP012354

Dimensions : Millimetres

Time Vs Current Characteristic

Rated Current	110 %	135 %	150 %	200 %	300 %	500 %
5-80A	>4h	<1h	10-1000s	0.5-100s	0.1-15s	0.05-1s



Part Number Table

Description	Part Number
Automotive Fuse, 10A, 1000V DC	MP012351
Automotive Fuse, 20A, 1000V DC	MP012352
Automotive Fuse, 30A, 1000V DC	MP012353
Automotive Fuse, 50A, 1000V DC	MP012354

Important Notice : This data sheet and its contents (the "Information") belong to the members of the AVNET group of companies (the "Group") or are licensed to it. No licence is granted for the use of it other than for information purposes in connection with the products to which it relates. No licence of any intellectual property rights is granted. The Information is subject to change without notice and replaces all data sheets previously supplied. The Information supplied is believed to be accurate but the Group assumes no responsibility for its accuracy or completeness, any error in or omission from it or for any use made of it. Users of this data sheet should check for themselves the Information and the suitability of the products for their purpose and not make any assumptions based on information included or omitted. Liability for loss or damage resulting from any reliance on the Information or use of it (including liability resulting from negligence or where the Group was aware of the possibility of such loss or damage arising) is excluded. This will not operate to limit or restrict the Group's liability for death or personal injury resulting from its negligence. Multicomp Pro is the registered trademark of Premier Farnell Limited 2019.