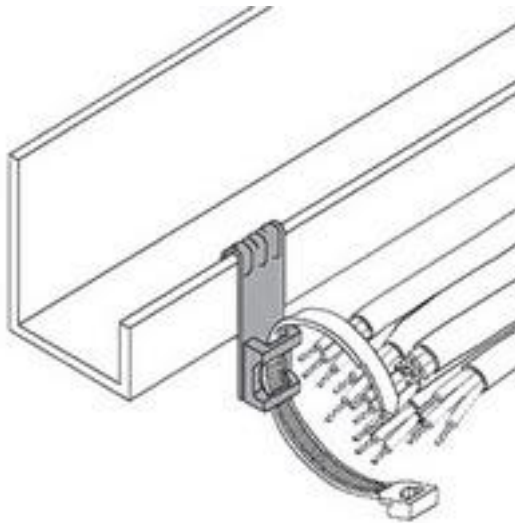


Datasheet

RS Pro Nylon, Steel Girder Cable Tie Base

RS Stock No: **277-266**



Product Details

RS Pro girder cable tie base with flange thickness ranging from 1.5 to 5 mm, has vertical orientation. This tie base features nylon and steel construction.

Features and Benefits

- Maximum flange thickness is 5 mm
- Minimum flange thickness is 1.5 mm
- Vertical flange orientation



Specifications:

Flange Orientation	Vertical
Flange Thickness Maximum	5 mm
Flange Thickness Minimum	1.5 mm
Flange Thickness	1.5 to 5 mm
Material	Nylon, Steel