



Datasheet

RS PRO Metric Moulded Bevel Gear, White HOSTAFORM®C 2:1 Ratio 1.0 – 2.5 MOD

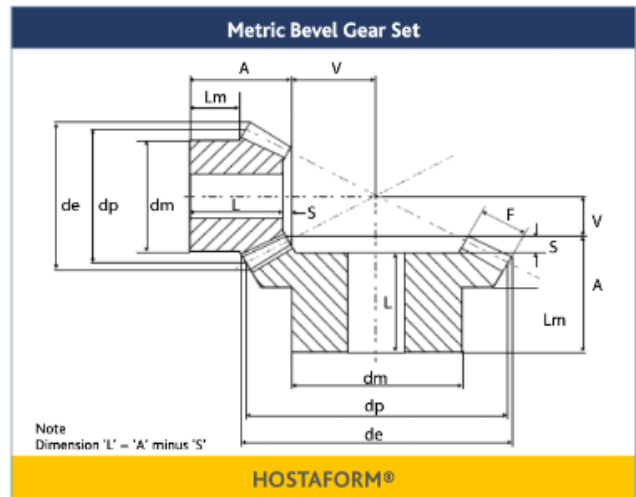
Stock number: 182-7993, 182-7994, 182-7995, 182-7996, 182-7997, 182-7998, 182-7999, 182-8000

EN

- DIN 3964, DIN 3967, DIN 3971
- Standard tolerances, unless otherwise stated ± 0.25 mm
- Shaft axis to intersect within ± 0.025 mm
- Angular accuracy between shafts ± 5 mins
- Mounting distance tolerance ± 0.05 mm
- Bore tolerance H8
- 20° pressure angle

- All dimensions in mm
- White HOSTAFORM® C

Note: Not sold as a set.



Ratio 2 : 1												
MOD	RS Article no.	Pitch module	No. teeth	dp (mm)	de(mm)	dm (mm)	Bore	F(mm)	Lm(mm)	A(mm)	A+V (mm)	S (mm)
1	1827993	1	15	15	16.8	12.2	5	6.6	10.6	17	26.4	0
	1827994	1	30	30	31.1	18	8	6.6	9.1	16.2	20.9	1.4
1.5	1827995	1.5	15	22.5	25.4	17	8	11	11.5	22.8	35.8	0
	1827996	1.5	30	45	46.4	23.4	10	11	9.6	19.5	26.2	2
2	1827997	2	15	30	33.6	22.5	10	15	11.8	27	44.2	1
	1827998	2	30	60	62.2	30.2	12	15	11.8	24.2	32.6	1.6
2.5	1827999	2.5	15	37.5	42	26.5	12	17	13	31.2	53.3	1.6
	1828000	2.5	30	75	77.3	36.1	16	17	15	29.5	40.5	2

