

Features

- HDMI-DVI-D
- Male – Female
- Black
- 5 Pack

RS PRO 2mtr HDMI M- DVI-D M Cable – Black – 5 Pack

RS Stock No.: 2668448



RS Professionally Approved Products bring to you, professional quality parts across all product categories. Our product range has been tested by engineers and provides a comparable quality to the leading brands without paying a premium price.

Product Description

The RSPRO 2 metre male to male HDMI to DVI-D cable which has a black PVC jack and an outer diameter of 6mm. The connectors have a gold flash covering to prevent corrosion. There are three different types of DVI cables which all share a common connector, DVI-A (analogue),

DVI-D (digital) and DVI-I (integrated).

This cable will passively convert a HDMI signal to DVI-D. DVI-D and DVI-I are also split into two types of cable, dual link and single link. Dual link has all the pins connected to achieve higher resolutions whereas single link may have the physical pins present but some will not be connected inside the cable.

General Specifications

Cable Type	HDMI to DVI-D
Connector A	Male HDMI
Connector A Gender	Male
Connector A Type	HDMI
Connector B	Male DVI-D
Connector B Gender	Male
Connector B Type	DVI-D
Outer Sheath Material	PVC
Sheath Colour	Black
Hood	Moulding type

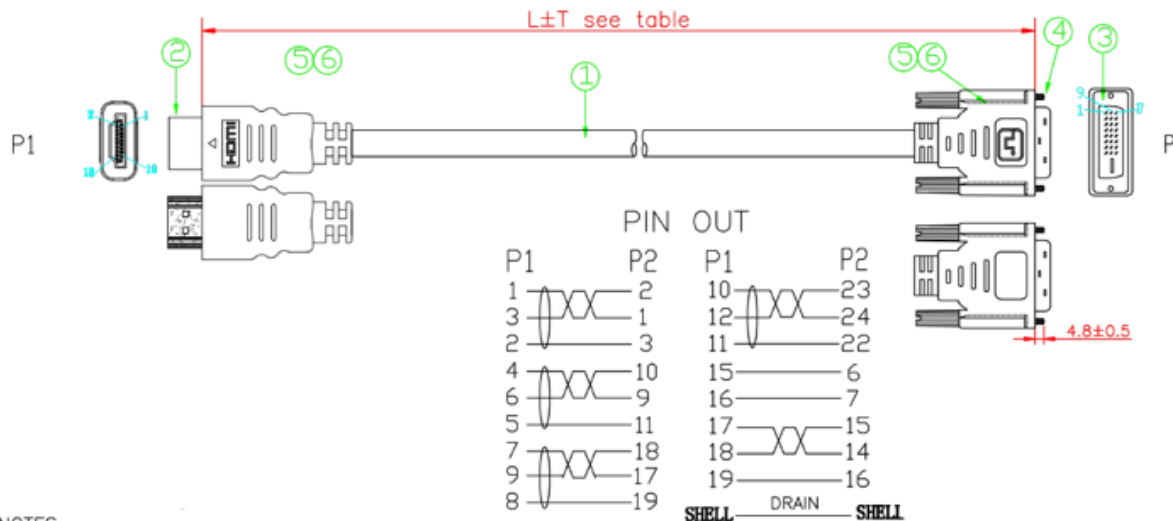
Approvals

Declarations	CE UKCA REACH ROHS
Standards Met	CE UKCA REACH ROHS

Similar Products

Parameters	182-8879
Brand	RS RPO
Pack Size	1
Cable Type	HDMI
Connector A	HDMI
Connector A Gender	Male
Connector A Type	DVI-D
Connector B	HDMI
Connector B Gender	Male
Connector B Type	HDMI
Outer Sheath Material	PVC
Sheath Colour	Black
Length	2mtr

NO.	MATERIAL	DESCRIPTION	QTY	UNIT
①	CABLE	(1/0.24BC*1P+1/0.24BC+FAM)*4C+5C*1/0.24BC+ADB(80/0.12ALM),BLACK PVC,OD:6.0±0.2MM.	L	M
②	CONN	HDMI A TYPE MALE,BLACK INSULATOR,GOLD PLATED PIN,GOLD PLATED SHELL	1	PCS
③	CONN	DVI 24+1/M BLACK INSULATOR,GOLD PLATED SHELL,GOLD PLATED PIN	1	PCS
④	SCREW	#4-40UNC 2.3*45.5MM,BLACK PVC	2	PCS
⑤	IN-MOLDED	LDPE		KG
⑥	OUT-MOLDED	45P BLACK PVC		KG



NOTES:

- 100% short, open and miss wire test.
- CABLE MARKING: AWM 20276 VW-1 80°C 30V
DVI CABLE RoHS COMPLIANT
- HDTV: 1080P 60HZ

DRAWING	DAN	DATE	Nov 15, 2018	UNIT	MM	CUSTOMER	CUSTOMER PART NO.
CHECK	LU	DATE	Nov 15, 2018	SCALE	FREE	FILE NAME	DVI 24+1-HDMI M/M 30# BC
APPROVED	ZHANG	DATE	Nov 15, 2018	TOLERANCE	.X; .XX;	XY PART NO.	DVI-24+1-HDMI