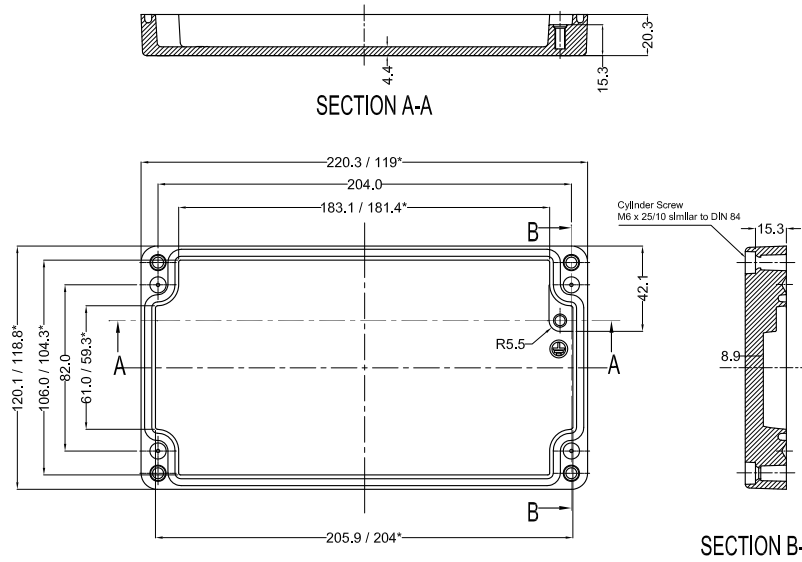
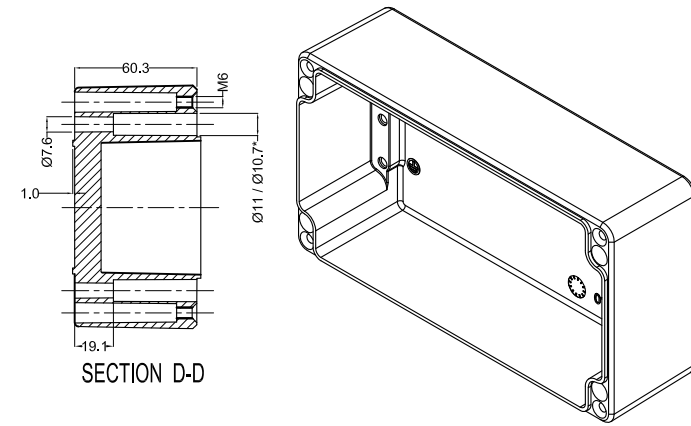
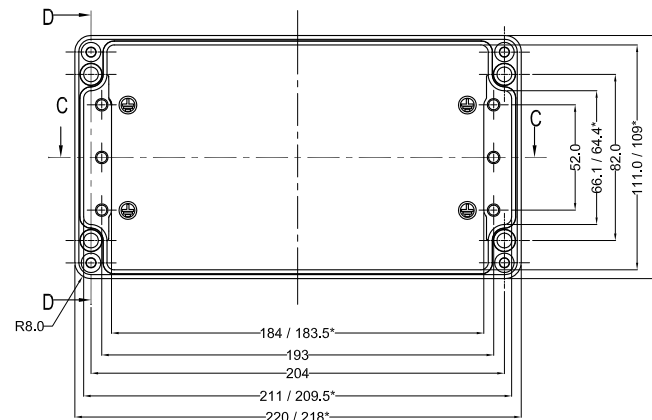


* = Conical form tapering downward.
 Untoleranced dimensions per GTA 13/5 - DIN 1688

LID



BASE



QUANTITY	MATERIAL :-	MACH.NAME	DATE	SIGN	NAME	
1	ALs112 (Din230)	-			RRPL DESIGN	
			30/04/12		MANOJ DRAWN	
		TITLE :-	30/04/12		PAVAN CHECKED	
		JUNCTION BOX 220 x 120 x 81			S . D . APPROVED	
TOLERANCE ±0.2 DIMENSIONS ±0.2 HOLES ±1.0° ANGLES			WEIGHT: - FINISH: NATURAL		SCALE	
ALL DIMENSION ARE IN MM						