

Wall Mounted Sensor Hand Dryer

BRAND

- KEPLER

PRODUCT FEATURES

- Equipped with infrared sensing device that drives a centrifugal fan and supplies hot air by a set of heaters
- Low noise motor for quiet operation
- Automatic safety cut-off timer

PRODUCT SPECIFICATIONS

- Dimension : 230 (L) x 170 (W) x 260 (H) mm
- Material : Aluminum Alloy casing
- Operation Duration : 60 secs. Auto cut off
- Voltage Power : 220-240V AC / 50Hz
- Rated Power : 1650W
- Air Temperature : 50-60°C
- Motor Type : Induction Type (Brushless)
- Noise Level : 68 DbA
- Air Velocity : 90 m/s
- Wind Speed : 8 m/s
- Motor Speed : 2800 rpm
- Sensing Distance : 15-28 cm
- IP Rating : IPX1
- Weight : 4kg

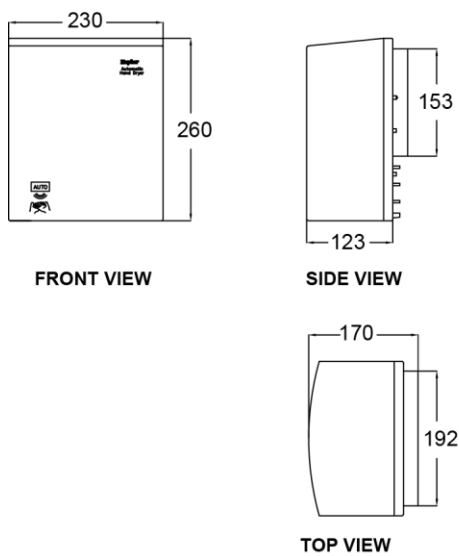


RESOURCEFUL FEATURE:



Anti-Conflict

TECHNICAL DRAWING



*All dimensions are in mm

INSTALLATION DETAILS

