



## Datasheet

### RS PRO Hermetically Sealed Enclosures

Stock number: 1920721

EN

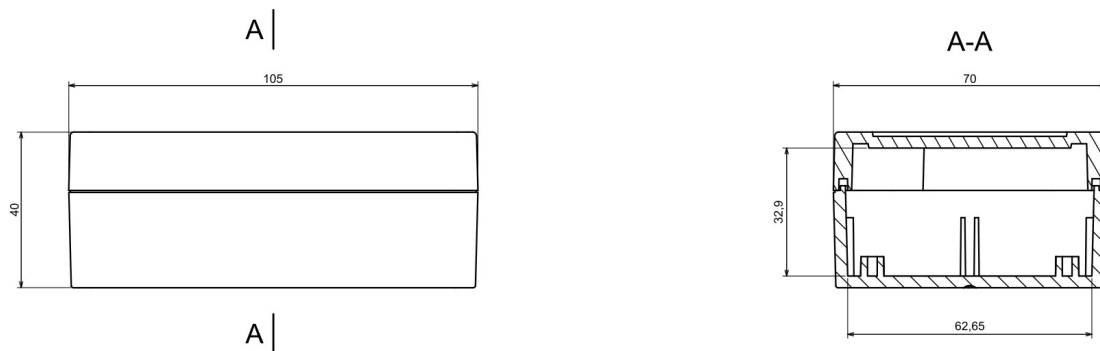


### Product Details

Hermetic enclosure ideal for applications requiring protection against water ingress. Supplied with silicon gasket that provides IP65 rating. Lid manufactured with recess for membrane keypads and overlays. Threaded brass inserts ensures reliable assembly of the enclosure.

### Features and Benefits

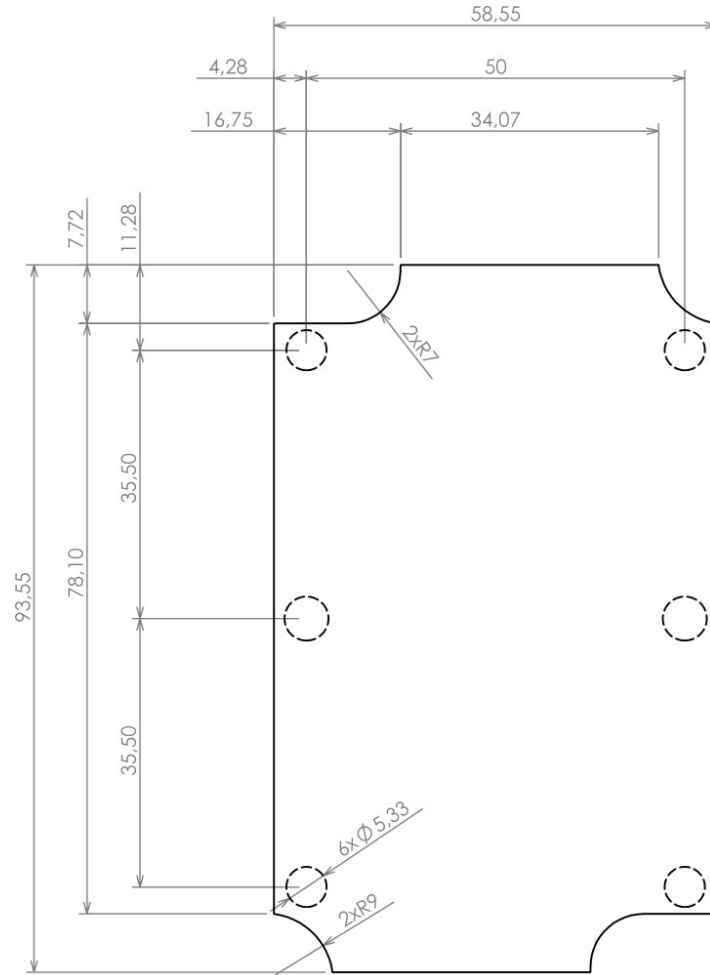
- Made of ABS
- Available in light gray color
- Protection against liquids and solid objects: IP65 rating
- Shock protection level: IK08
- Supplied with silicon gasket and four screws
- Lid with recess for keypads and overlays
- Threaded brass inserts for reliable assembly.



Category	Enclosures For Wall Mounting
Type	Full
Material	ABS
Variant	Hermetic with brass bushing ( <b>H TM</b> )
Height	40.0 mm
Width	70.0 mm
Length	105.0 mm
Color	Lightgray ( <b>J</b> )
Protection level	IP65
Shock protection level	IK08
Standards Met	RoHS Compliant
Accessories	Screw 3/20: 4.0 pcs
Certificate number	CE/032/18, Z/12/029118



## Max PCB size



Dashed line shows outline of the mounting boss under PCB board  
Recommended mounting holes diameter  $\varnothing 4\text{mm}$   
All dimensions are given within  $\pm 0,5\text{mm}$  tolerance