

**Datasheet**

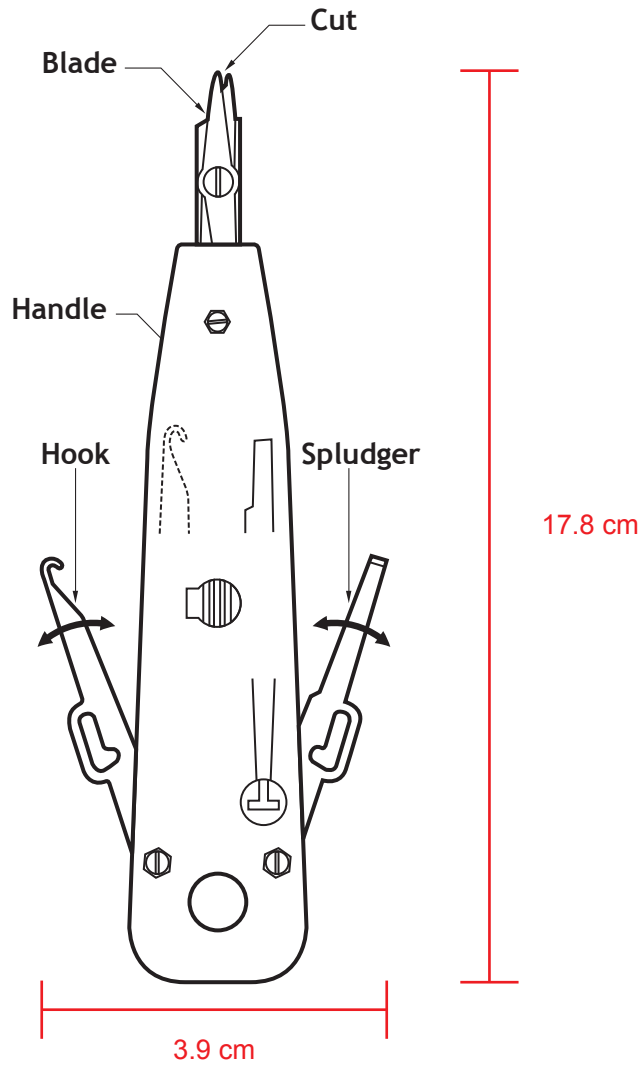
# RS PRO 4 Piece Network Tool Kit

Stock No: 194-5912



- LOW IMPACT INSERTION TOOL
- MODULAR CRIMPING TOOL FOR 8P8C
- UNIVERSAL CABLE STRIPPER & CUTTER
- LAN CABLE TESTER

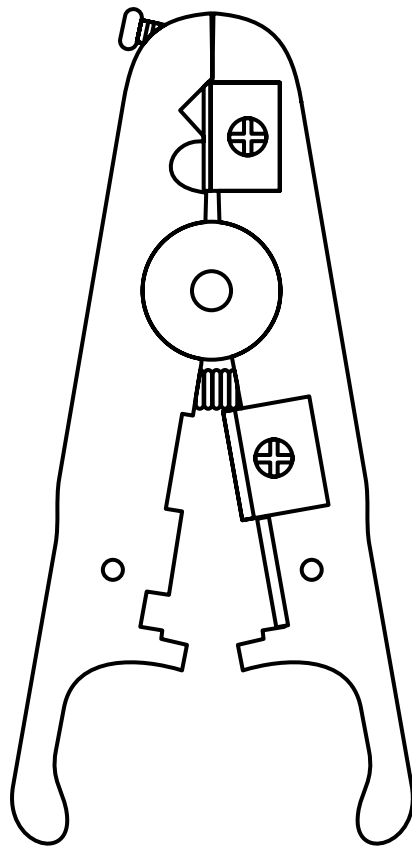
<b>Description</b>	4PCS NETWORK TOOL KIT
<b>Function</b>	Quickly and easily checks for cable continuity and proceed with efficiency stripping & crimping for cables.
<b>Manufacturer Part Number RS</b>	194-5912



Weight: 51g

LOW IMPACT INSERTION TOOL





10.2 cm



5.3 cm

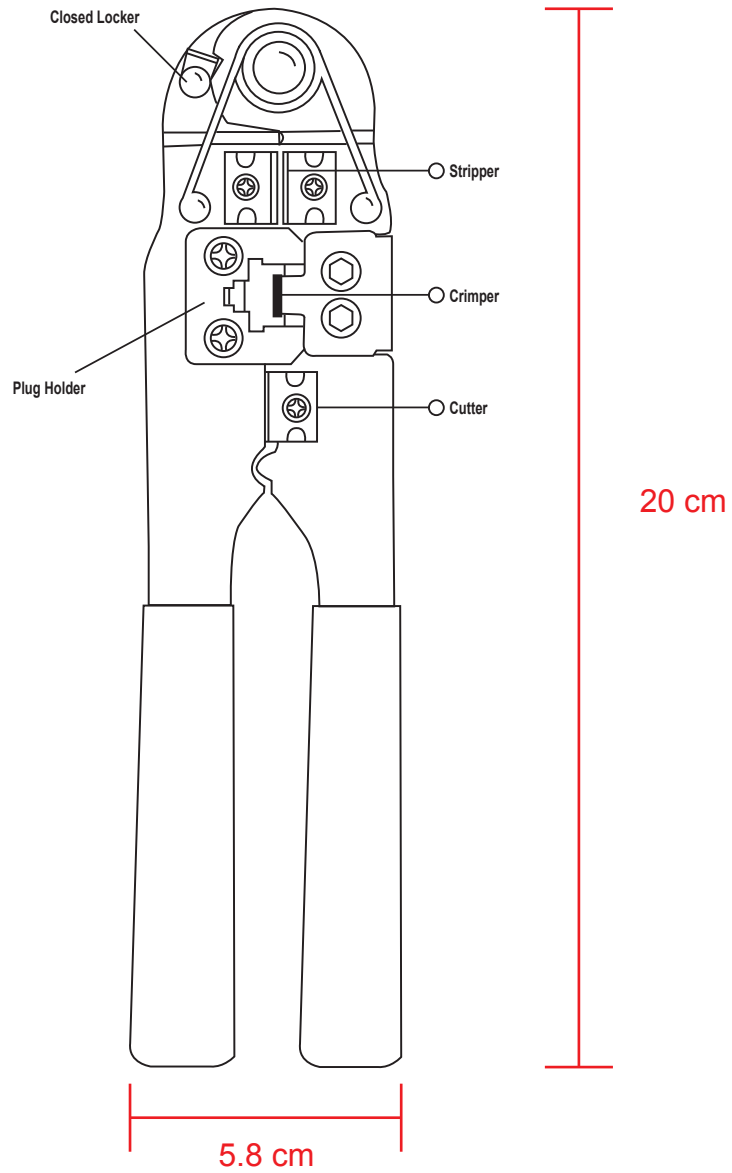
Weight: 43g

UTP/STP CATEGORY 5. CABLE STRIPPER & CUTTER



[rspro.com](http://rspro.com)

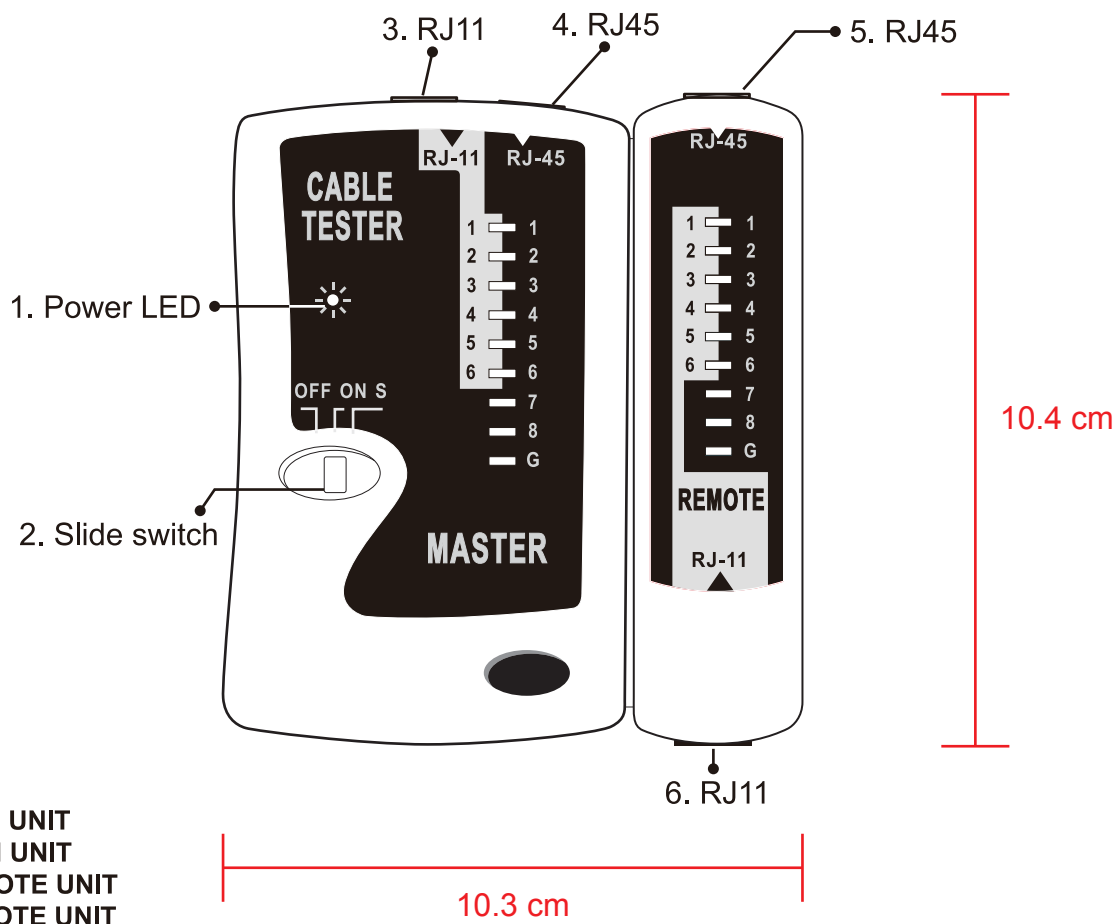




Weight: 253g

MODULAR CRIMPING TOOL FOR 8P8C





1. POWER LED
2. POWER SWITCH
3. RJ11 JACK MAIN UNIT
4. RJ45 JACK MAIN UNIT
5. RJ45 JACK REMOTE UNIT
6. RJ11 JACK REMOTE UNIT

## MULTI- MODULAR CABLE TESTER

### Introduction:

This device is used for testing RJ45 cable, this device consist of main unit and remote unit. Operation this device is simple and easy to use.

### How to Use :

1. Turn on power switch, the power light will be flash.  
"ON" for normal speed test.  
"S" for low speed test.
2. To test twist pair cable, one side connect to the master unit and the other side connect to remote unit.
3. In case of UTP cable, on main unit indicator light from No.1 to 8. If the cable is normal, the indicator light will be light from No.1 to 8.
4. In case of FTP cable, on main unit indicator light from No.1 to G. If the cable is normal, the indicator light will be light from No.1 to G.

### Warning:

1. For protect and safety reasons, please don't use test AC power.
2. Turn on the power switch and check if the LED doesn't glow, then please replace a new 9V battery.

### Remarks:

Please make sure a 9-volt alkaline battery has been installed in the battery compartment.

### Caution:

Don't connect cable tester to the live circuits as it may be damaged by over voltage.

Weight: 120g

CABLE TESTER FOR RJ11/RJ45 MODULAR PLUG

