

FEATURES

- 24 V dc Supply Voltage
- Iron Core
- Spur gear head
- 6mm shaft diameter

RS PRO, 24 V dc, 30 Ncm, Brushed DC Geared Motor, Output Speed 47 rpm

RS Stock No.: 901-3311



RS Professionally Approved Products bring to you professional quality parts across all product categories. Our product range has been tested by engineers and provides a comparable quality to the leading brands without paying a premium price.

Product Description

From RS Pro, this DC geared motor is ideal for low speed applications that require high starting torque. The brushed motor ensure a low cost and simplified design, while offering versatility and reliability. With an iron core construction, the DC motor has a spur gearbox for consistent high output torque. The gear motor also features a robust flange with screw hole fixing, for easy and secure installation. This 38 mm geared motor is designed for most low voltage applications, and provides a 47 rpm no-load speed.

General Specifications

DC Motor Type	Brushed
Output Speed (No Load)	47rpm
Gearhead Type	Spur
Gear Ratio	4.1673611111
Power Rating	4.033 W
Application	Power tools, Water pumps, Camera Systems, Adjusting devices,Robotics,Fans

Electrical Specifications

Supply Voltage	24V dc
Maximum Output Torque	30Ncm

Mechanical Specifications

Shaft Diameter	6mm
Core Construction	Iron Core
Shaft Angle	Straight
Dimensions	73.7mm x 38mm x 38 mm
Length	73.7mm
Width	38mm

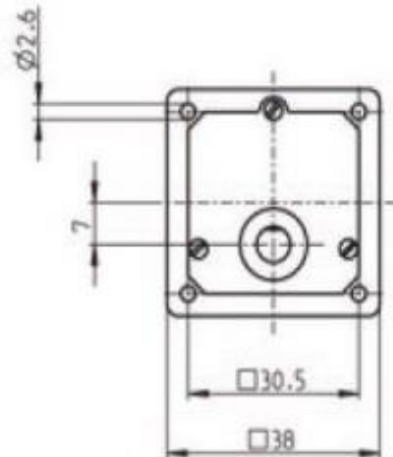
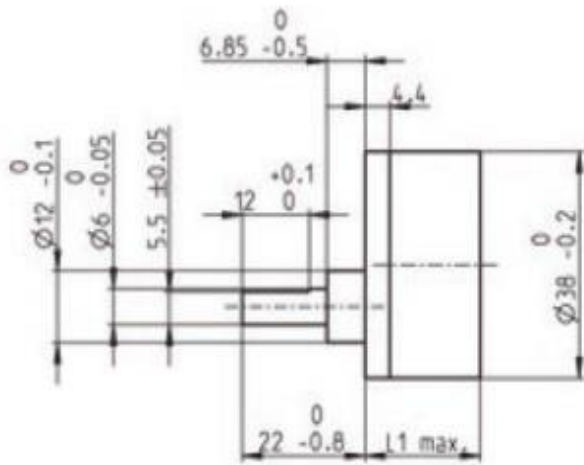
DC Geared Motors



Depth	38mm
-------	------

Approvals

Compliance/Certifications	2011/65/EU and 2015/863
Standards Met	RoHS



6mm shaft diameter

M 1:2

RS Number	New Ratio	Replaces	Voltage	New Speed	New Max Torque	New Dimensions in mm
9013288	21:1	255-9582	12v	223rpm	70mNm	71.20x38x38
9013282	30:1	255-9598	12v	155rpm	100mNm	71.20x38x38
9013291	60:1	255-9605	12v	80rpm	200mNm	73.70x38x38
9013294	105:1	255-9611	12v	45rpm	300mNm	73.70x38x38
9013298	210:1	255-9627	12v	22rpm	600mNm	107.60x38x38
9013308	525:1	255-9649	12v	9rpm	600mNm	110.10x38x38
9013301	750:1	255-9655	12v	6rpm	600mNm	110.10x38x38
9013305	21:1	440-313	24v	223rpm	70mNm	71.20x38x38
9013314	30:1	440-329	24v	155rpm	100mNm	71.20x38x38
9013317	60:1	440-335	24v	80rpm	200mNm	73.70x38x38
9013311	105:1	440-341	24v	45rpm	300mNm	73.70x38x38
9013320	210:1	440-357	24v	22rpm	600mNm	107.60x38x38
9013323	525:1	440-363	24v	9rpm	600mNm	110.10x38x38
9013327	750:1	440-379	24v	6rpm	600mNm	110.10x38x38