

ATV650U30N4

variable speed drive, Altivar Process ATV600,
ATV650, 3kW, 380 to 480V, IP55





Main

| | |
|------------------------------------|--|
| Range of product | Altivar Process ATV600 |
| Product or component type | Variable speed drive |
| Product specific application | Process and utilities |
| Device short name | ATV650 |
| Variant | Standard version |
| Product destination | Asynchronous motors Synchronous motors |
| EMC filter | Integrated with 50 m conforming to IEC 61800-3 category C2 Integrated with 150 m conforming to IEC 61800-3 category C3 |
| IP degree of protection | IP55 conforming to IEC 60529 IP55 conforming to IEC 61800-5-1 |
| [Us] rated supply voltage | 380...480 V |
| Type of cooling | Forced convection |
| Supply frequency | 50...60 Hz - 5...5 % |
| [Us] rated supply voltage | 380...480 V - 15...10 % |
| Motor power kW | 2.2 KW (heavy duty) 3.0 kW (normal duty) |
| Motor power hp | 2 Hp heavy duty 3 hp heavy duty |
| Line current | 3.8 A at 480 V (normal duty) 3.1 A at 380 V (heavy duty) 2.9 A at 480 V (heavy duty) 5.8 A at 380 V (normal duty) |
| Prospective line Isc | 50 kA |
| Apparent power | 2.4 KVA at 480 V (heavy duty) 4.2 kVA at 480 V (normal duty) |
| Continuous output current | 4 A at 4 kHz for heavy duty 7.2 A at 4 kHz for normal duty |
| Asynchronous motor control profile | Variable torque standard Optimized torque mode Variable torque standard |
| Synchronous motor control profile | Synchronous reluctance motor Permanent magnet motor |
| Speed drive output frequency | 0.1...500 Hz |
| Nominal switching frequency | 4 kHz |
| Switching frequency | 4...12 kHz with derating factor 2...12 kHz adjustable |
| Safety function | STO (safe torque off) SIL 3 |
| Discrete input logic | 16 preset speeds |

| | |
|-----------------------------|---|
| Communication port protocol | Modbus serial Ethernet Modbus serial |
| Option card | Slot A: communication module, PROFINET Slot A: communication module, DeviceNet Slot A: communication module, Modbus TCP/ EtherNet/IP Slot A: communication module, CANopen daisy chain RJ45 Slot A: communication module, CANopen SUB-D 9 Slot A: communication module, CANopen screw terminals Slot A/slot B: digital and analog I/O extension module Slot A/slot B: output relay extension module Slot A: communication module, Ethernet IP/Modbus TCP/MD-Link Communication module, BACnet MS/TP Communication module, Ethernet Powerlink Slot A: communication module, Profibus DP V1 |

Complementary

| | |
|-------------------------------------|--|
| Mounting mode | Wall mount |
| Maximum transient current | 6.2 A during 60 s (normal duty) 8.4 A during 60 s (heavy duty) |
| Network number of phases | 3 phases |
| Discrete output number | 0 |
| Discrete output type | Relay outputs R1A, R1B, R1C 250 V AC 3000 mA Relay outputs R1A, R1B, R1C 30 V DC 3000 mA Relay outputs R2A, R2C 250 V AC 5000 mA Relay outputs R2A, R2C 30 V DC 5000 mA Relay outputs R3A, R3C 250 V AC 5000 mA Relay outputs R3A, R3C 30 V DC 5000 mA |
| Output voltage | <= power supply voltage |
| Permissible temporary current boost | 1.5 x I _n during 60 s (heavy duty) 1.1 x I _n during 60 s (normal duty) |
| Motor slip compensation | Adjustable Not available in permanent magnet motor law Automatic whatever the load Adjustable |
| Acceleration and deceleration ramps | Linear adjustable separately from 0.01...9999 s |
| Physical interface | Ethernet 2-wire RS 485 |
| Braking to standstill | By DC injection |
| Protection type | Safe torque off: motor Motor phase break: motor Thermal protection: drive Safe torque off: drive Overheating: drive Overcurrent between output phases and earth: drive Overload of output voltage: drive Short-circuit protection: drive Motor phase break: drive Overvoltages on the DC bus: drive Line supply overvoltage: drive Line supply undervoltage: drive Line supply phase loss: drive Overspeed: drive Break on the control circuit: drive Thermal protection: motor |
| Transmission rate | 10, 100 Mbits 4800 bps, 9600 bps, 19200 bps, 38.4 Kbps |
| Frequency resolution | Analog input: 0.012/50 Hz Display unit: 0.1 Hz |
| Transmission frame | RTU |
| Electrical connection | Line side: screw terminal 4...6 mm ² /AWG 12...AWG10 Motor: screw terminal 4...6 mm ² /AWG 12...AWG10 Control: removable screw terminals 0.5...1.5 mm ² /AWG 20...AWG 16 |
| Connector type | RJ45 (on the remote graphic terminal) for Modbus serial RJ45 (on the remote graphic terminal) for Ethernet/Modbus TCP |
| Data format | 8 bits, configurable odd, even or no parity |

| | |
|--|--|
| Type of polarization | No impedance |
| Exchange mode | Half duplex, full duplex, autonegotiation Ethernet/Modbus TCP |
| Number of addresses | 1...247 for Modbus serial |
| Method of access | Slave Modbus TCP |
| Supply | Internal supply for reference potentiometer (1 to 10 kOhm): 10.5 V DC +/- 5 %, <10 mA, protection type: overload and short-circuit protection Internal supply for digital inputs and STO: 24 V DC (21...27 V), <200 mA, protection type: overload and short-circuit protection External supply for digital inputs: 24 V DC (19...30 V), <1.25 mA, protection type: overload and short-circuit protection |
| Local signalling | 3 LEDs (dual colour) for embedded communication status 4 LEDs (dual colour) for communication module status 1 LED (red) for presence of voltage 3 LEDs for local diagnostic |
| Width | 264 mm |
| Height | 678 mm |
| Depth | 272 mm |
| Net weight | 10.6 kg |
| Analogue input number | 3 |
| Analogue input type | AI1, AI2, AI3 software-configurable voltage: 0...10 V DC, impedance: 31.5 kOhm, resolution 12 bits AI1, AI2, AI3 software-configurable current: 0...20 mA, impedance: 250 Ohm, resolution 12 bits AI2 voltage analog input: - 10...10 V DC, impedance: 31.5 kOhm, resolution 12 bits |
| Discrete input number | 8 |
| Discrete input type | DI7, DI8 programmable as pulse input: 0...30 kHz, 24 V DC (<= 30 V) |
| Input compatibility | DI5, DI6: discrete input level 1 PLC conforming to IEC 65A-68 STOA, STOB: discrete input level 1 PLC conforming to IEC 61131-2 DI1...DI6: discrete input level 1 PLC conforming to IEC 61131-2 |
| Discrete input logic | Positive logic (source) (DI1...DI8), < 5 V (state 0), > 11 V (state 1) Negative logic (sink) (DI1...DI8), > 16 V (state 0), < 10 V (state 1) |
| Analogue output number | 2 |
| Analogue output type | Software-configurable voltage AQ1, AQ2: 0...10 V DC impedance 470 Ohm, resolution 10 bits Software-configurable current AQ1, AQ2: 0...20 mA, resolution 10 bits Software-configurable current DQ-, DQ+: 30 V DC Software-configurable current DQ-, DQ+: 100 mA |
| Sampling duration | 5 Ms +/- 1 ms (DI5, DI6) - discrete input 5 Ms +/- 0.1 ms (AI1, AI2, AI3) - analog input 10 Ms +/- 1 ms (AO1) - analog output 2 ms +/- 0.5 ms (DI1...DI4) - discrete input |
| Accuracy | +/- 1 % AO1, AO2 for a temperature variation 60 °C analog output +/- 0.6 % AI1, AI2, AI3 for a temperature variation 60 °C analog input |
| Linearity error | AO1, AO2: +/- 0.2 % for analog output AI1, AI2, AI3: +/- 0.15 % of maximum value for analog input |
| Relay output number | 3 |
| Relay output type | Configurable relay logic R2: sequence relay NO electrical durability 100000 cycles Configurable relay logic R3: sequence relay NO electrical durability 100000 cycles Configurable relay logic R1: fault relay NO/NC electrical durability 100000 cycles |
| Refresh time | Relay output (R1, R2, R3): 5 ms (+/- 0.5 ms) |
| Minimum switching current | Relay output R1, R2, R3: 5 mA at 24 V DC |
| Maximum switching current | Relay output R1, R2, R3 on resistive load, cos phi = 1: 3 A at 30 V DC Relay output R1, R2, R3 on inductive load, cos phi = 0.4 and L/R = 7 ms: 2 A at 250 V AC Relay output R1, R2, R3 on inductive load, cos phi = 0.4 and L/R = 7 ms: 2 A at 30 V DC Relay output R1, R2, R3 on resistive load, cos phi = 1: 3 A at 250 V AC |
| Isolation | Between power and control terminals |
| Maximum output frequency | 500 kHz |
| Maximum input current | 5.8 A |
| Variable speed drive application selection | Building - HVAC compressor centrifugal |
| Motor power range AC-3 | 2.2...3 kW at 380...440 V 3 phases |
| Quantity per set | 1 |
| Enclosure mounting | Wall mounted |

Environment

| | |
|---------------------------------------|--|
| Insulation resistance | > 1 MOhm 500 V DC for 1 minute to earth |
| Noise level | 52 dB conforming to 86/188/EEC |
| Operating position | Vertical +/- 10 degree |
| Maximum THDI | <48 % full load conforming to IEC 61000-3-12 |
| Electromagnetic compatibility | Radiated radio-frequency electromagnetic field immunity test level 3 conforming to IEC 61000-4-3 Electrical fast transient/burst immunity test level 4 conforming to IEC 61000-4-4 1.2/50 µs - 8/20 µs surge immunity test level 3 conforming to IEC 61000-4-5 Conducted radio-frequency immunity test level 3 conforming to IEC 61000-4-6 Electrostatic discharge immunity test level 3 conforming to IEC 61000-4-2 |
| Pollution degree | 2 conforming to IEC 61800-5-1 |
| Vibration resistance | 1 gn (f= 13...200 Hz) conforming to IEC 60068-2-6 1.5 mm peak to peak (f= 2...13 Hz) conforming to IEC 60068-2-6 |
| Shock resistance | 15 gn for 11 ms conforming to IEC 60068-2-27 |
| Relative humidity | 5...95 % without condensation conforming to IEC 60068-2-3 |
| Ambient air temperature for operation | 40...50 °C (with derating factor) -15...40 °C (without derating) |
| Ambient air temperature for storage | -40...70 °C |
| Operating altitude | 1000...4800 m with current derating 1 % per 100 m <= 1000 m without derating |
| Product certifications | ABS[RETURN]UL[RETURN]DNV-GL[RETURN]Bureau Veritas[RETURN]TÜV[RETURN]CSA[RETURN]ATEX zone 2/22 |
| Marking | CE |
| Standards | IEC 61800-3 IEC 61800-3 environment 1 category C2 EN/IEC 61800-3 environment 2 category C3 IEC 61800-5-1 IEC 61000-3-12 IEC 60721-3 IEC 61508 IEC 13849-1 UL 508C |
| Overvoltage category | III |
| Regulation loop | Adjustable PID regulator |
| Noise level | 52 dB |
| Pollution degree | 3 |

Packing Units

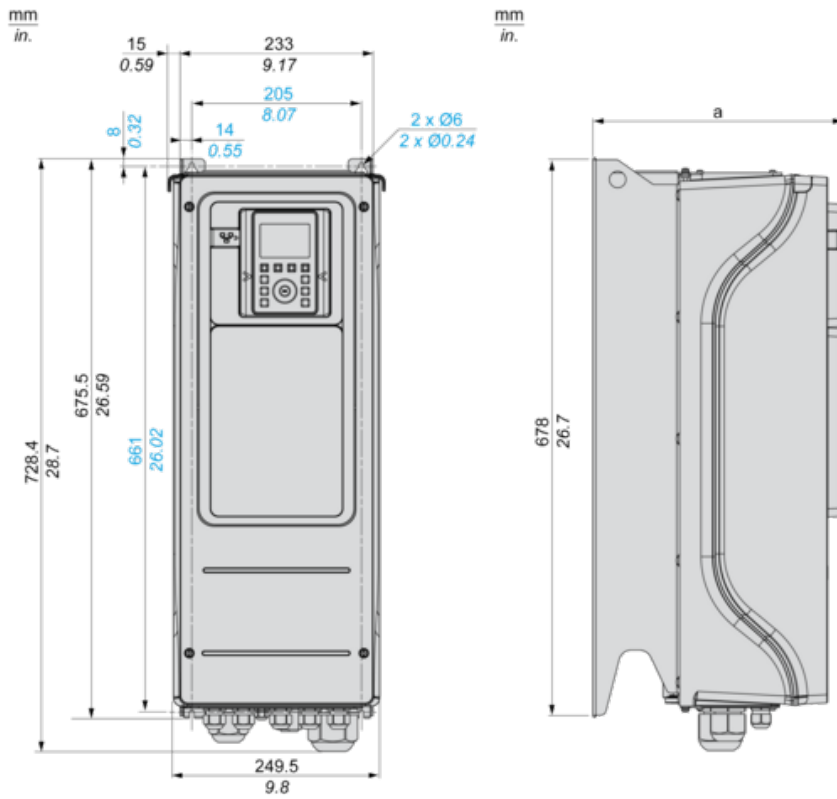
| | |
|------------------------------|---------|
| Unit Type of Package 1 | PCE |
| Number of Units in Package 1 | 1 |
| Package 1 Height | 54 cm |
| Package 1 Width | 39.2 cm |
| Package 1 Length | 80 cm |
| Package 1 Weight | 21 kg |

Offer Sustainability

| | |
|----------------------------|---|
| Sustainable offer status | Green Premium product |
| REACH Regulation | REACH Declaration |
| EU RoHS Directive | Pro-active compliance (Product out of EU RoHS legal scope) |
| Mercury free | Yes |
| China RoHS Regulation | China RoHS Declaration |
| RoHS exemption information | Yes |
| Environmental Disclosure | Product Environmental Profile |
| Circularity Profile | End Of Life Information |
| WEEE | The product must be disposed on European Union markets following specific waste collection and never end up in rubbish bins |
| Upgradeability | Upgraded components available |

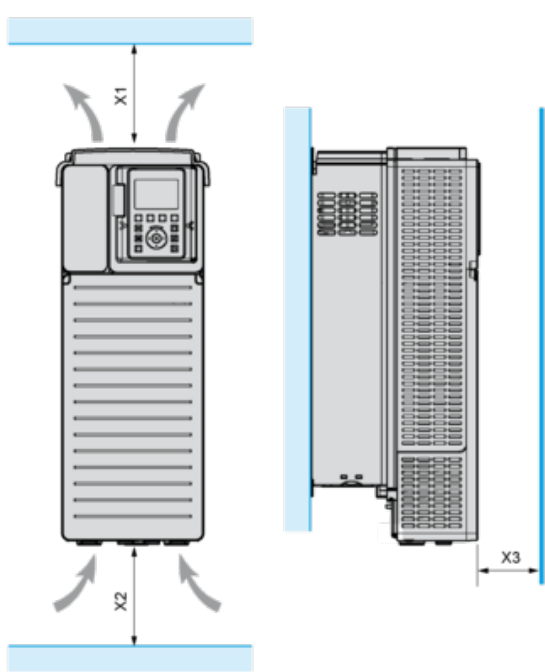
Dimensions

Front and Left Views



(a) = 272 mm (10.7 in.)

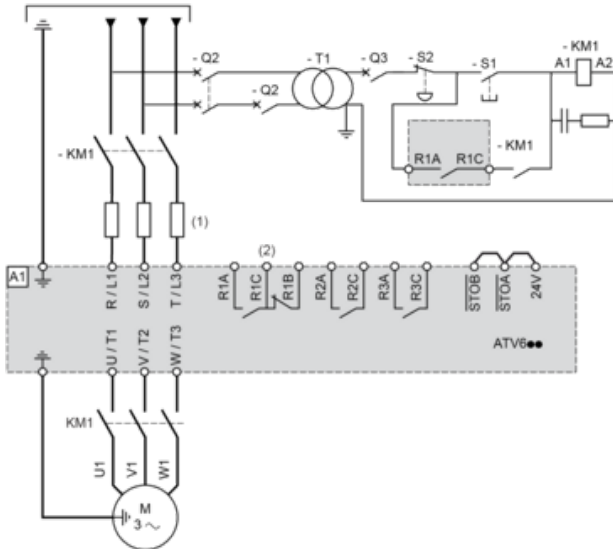
Clearances



| X1 | X2 | X3 |
|---------------------|---------------------|--------------------|
| ≥ 100 mm (3.94 in.) | ≥ 100 mm (3.94 in.) | ≥ 10 mm (0.39 in.) |

Three-Phase Power Supply with Upstream Breaking via Line Contactor

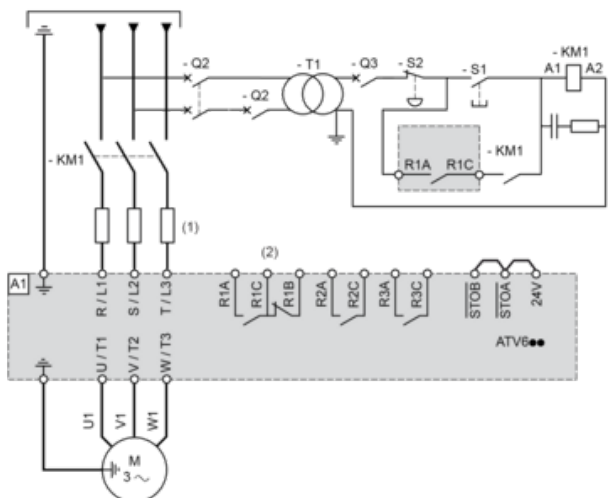
Connection diagrams conforming to standards EN 954-1 category 1 and IEC/EN 61508 capacity SIL1, stopping category 0 in accordance with standard IEC/EN 60204-1



- (1) Line choke if used
- (2) Use relay R1 set to operating state Fault to switch Off the product once an error is detected.
- A1 : Drive
- KM1 : Line Contactor
- Q2, Q3 : Circuit breakers
- S1, S2 : Pushbuttons
- T1 : Transformer for control part

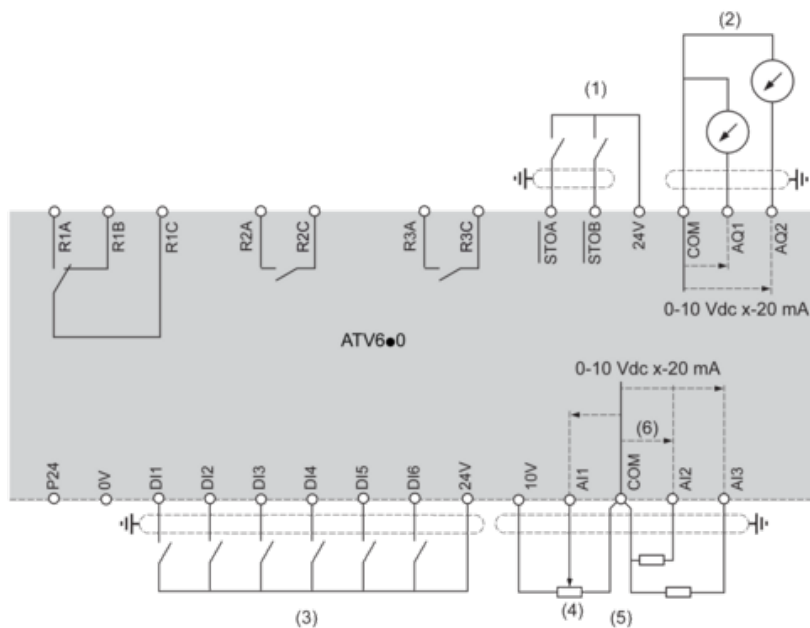
Three-Phase Power Supply with Downstream Breaking via Contactor

Connection diagrams conforming to standards EN 954-1 category 1 and IEC/EN 61508 capacity SIL1, stopping category 0 in accordance with standard IEC/EN 60204-1



- (1) Line choke if used
- (2) Use relay R1 set to operating state Fault to switch Off the product once an error is detected.
- A1 : Drive
- KM1 : Contactor

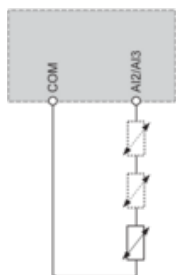
Control Block Wiring Diagram



- (1) Safe Torque Off
 (2) Analog Output
 (3) Digital Input
 (4) Reference potentiometer
 (5) Analog Input
 R1A, R1B, R1C : Fault relay
 R2A, R2C : Sequence relay
 R3A, R3C : Sequence relay

Sensor Connection

It is possible to connect either 1 or 3 sensors on terminals AI2 or AI3.

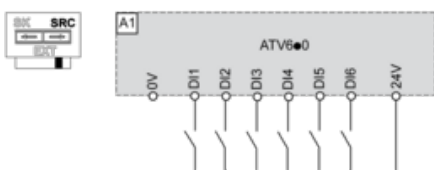


Sink / Source Switch Configuration

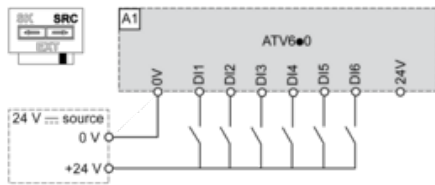
The switch is used to adapt the operation of the logic inputs to the technology of the programmable controller outputs.

- Set the switch to Source (factory setting) if using PLC outputs with PNP transistors.
- Set the switch to Ext if using PLC outputs with NPN transistors.

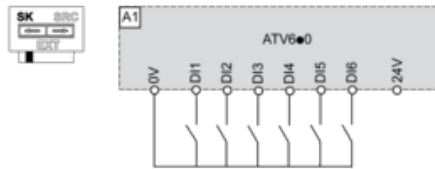
Switch Set to SRC (Source) Position Using the Output Power Supply for the Digital Inputs



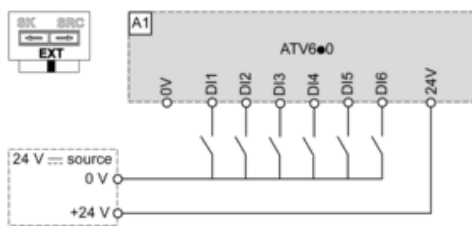
Switch Set to SRC (Source) Position and Use of an External Power Supply for the DIs



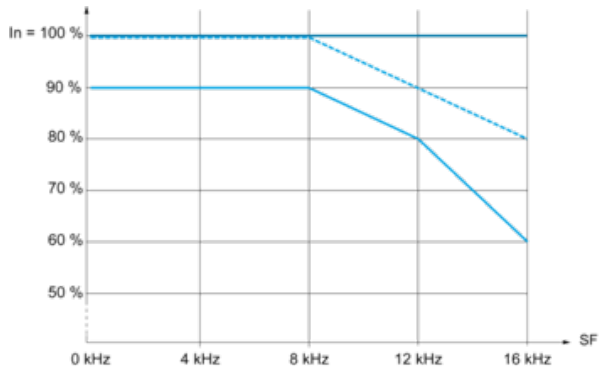
Switch Set to SK (Sink) Position Using the Output Power Supply for the Digital Inputs



Switch Set to EXT Position Using an External Power Supply for the DIs



Derating Curves



- 40 °C (104 °F)
- 45 °C (113 °F)
- 50 °C (122 °F)

In : Nominal Drive Current

SF : Switching Frequency