

## FEATURES

- Compact Mounting
- High Performance
- Single Phase Input
- Reliable
- Led Indicators

# RS PRO DIN Rail Power Supply - 230V ac Input Voltage, 24V dc Output Voltage, 650mA Output Current, 15W

RS Stock No.: 136-8303



RS Professionally Approved Products bring to you professional quality parts across all product categories. Our product range has been tested by engineers and provides a comparable quality to the leading brands without paying a premium price.

## Product Description

From RS Pro a range of high-performance power supplies in a compact 35mm DIN rail mounting package for convenience and space saving. These DIN rail mount power supplies are available with a range of power ratings from 15W to 240W and accept single-phase AC input for conversion into a single DC output of either 12V, 15V, 24V or 48V DC.

## General Specifications

<b>Type</b>	Switch Mode
<b>AC or DC Input Voltage</b>	230VAC
<b>AC or DC Output Voltage</b>	24VDC
<b>Number of Outputs</b>	1
<b>Special Features</b>	Compact Size, Cooling by Free Air Convection, LED Indicator for DC Low, LED Indicator for DC Power On, 3-Years Warranty, 100% Full Load Burn-In Test
<b>Mounting Type</b>	DIN Rail, Vertical Mount
<b>Short Circuit Protection</b>	Yes
<b>Over Voltage Protection</b>	Yes
<b>Indication of Output Voltage</b>	LED, continuous green light
<b>Applications</b>	Sensors, Transmitters/receivers, Analyzers, PLCs Motors, Actuators, Solenoids, Relays

## Electrical Specifications

RS Stock#	Input Voltage	Output Voltage	Output Current	Output Wattage	Efficiency (Typ)
136-8301	100VAC-240VAC	+ 12VDC	1.2A	15W	80%
136-8302	100VAC-240VAC	+ 15VDC	1A	15W	83%
136-8303	100VAC-240VAC	+ 24VDC	0.65A	15W	83%

Input Specifications		
Input Electrical Phase	Single	
Input current	0.15A/230VAC	
Line Frequency	47 to 63Hz	
Inrush current at 25°C 230V	60A	
Efficiency (Typ.)	83%	
Output Specifications		
Output Voltage Adjustment	23.5VDC-24.5VDC	
Ripple and Noise	15mV	
Hold Up Time	20ms/115VAC	
Line Regulation	1%	
Load Regulation	1%	
Voltage Isolation	Input-Output	3000VAC
	Input-Ground	1500VAC
	Output-Ground	1500VAC
Surge Voltage	2kV	
MTBF	200Khrs	

## Mechanical Specifications

Height	95mm
Depth	108mm
Width	22.5mm
Weight	200g
Dimensions	22.5mm x 95mm x 108mm

## Operation Environment Specifications

Operating Humidity	20% to 95% RH
Operating Temperature Range	-25°C to 70°C
Storage Temperature Range	-40°C to 85°C
Cooling	Free Air convection

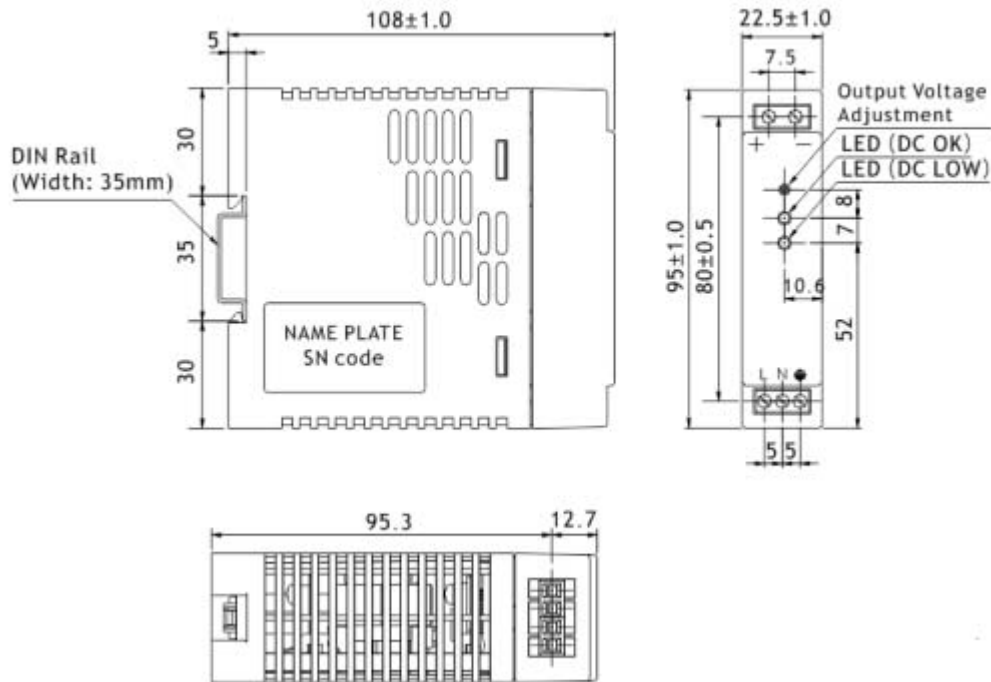
## Approvals

<b>Standards Met</b>	CB, CE, CUL, CULus Recognised, FCC, UL
----------------------	--



Stock Number	Nominal Input Voltage	Output Voltage	Output Current	Ripple (Typ.)	Efficiency (Typ.)	Certificate
136-8301	100-240VAC	12V	1.2A	12mV	80%	CE, FCC, CB, UL, CUL
136-8302	100-240VAC	15V	1A	15mV	83%	CE
136-8303	100-240VAC	24V	0.65A	15mV	83%	CE, FCC, CB, UL, CUL

## Mechanical

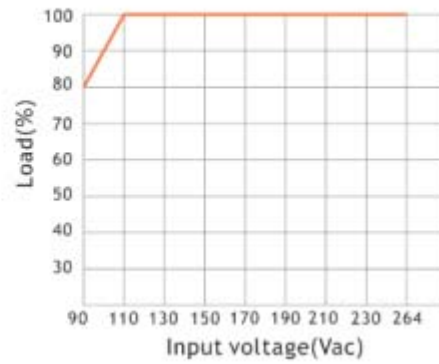
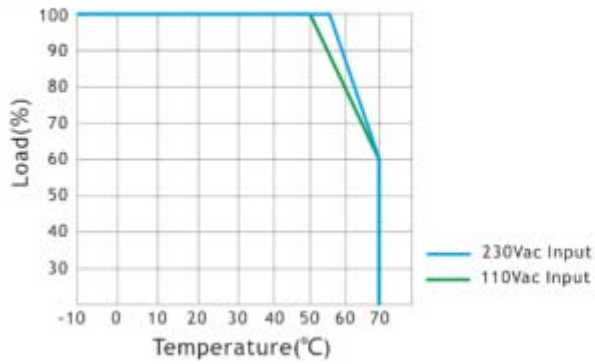


## Mechanical

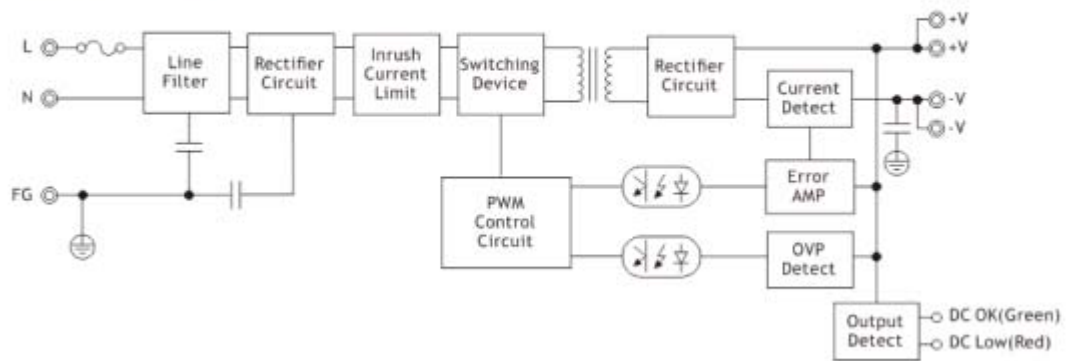


Marking	No.	Assignment
+	1	DC(+) Output Terminal
-	2	DC(-) Output Terminal
L	3	AC(L) Input Terminal
N	4	AC(N) Input Terminal
⊕	5	AC Grounding Terminal
V-ADJ.	/	DC Output voltage adjustment trimmer
DC OK	/	DC Output OK indication LED(Green)
DC LOW	/	DC Output Low indication LED(Red)

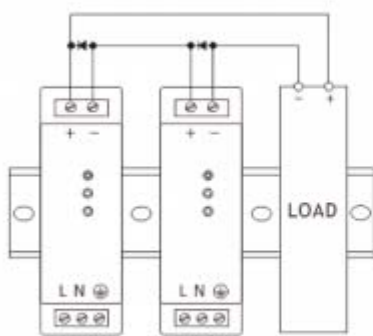
## Electrical Curve



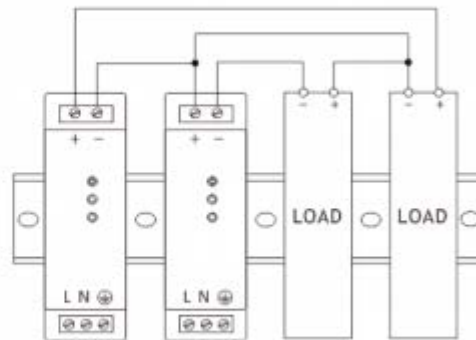
## Block Diagram



## Series Operation

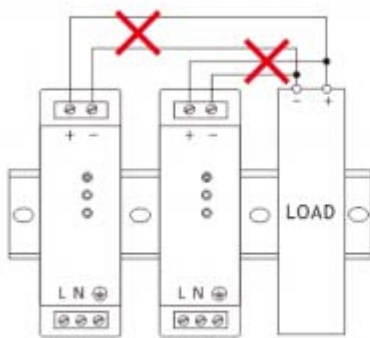


Series Operation A

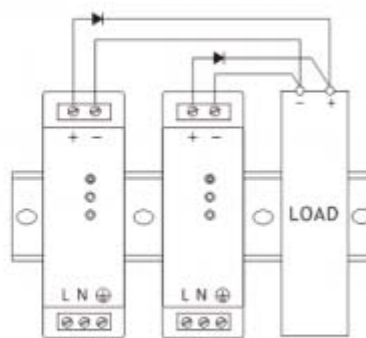


Series Operation B

## Parallel Operation



Parallel Operation A  
(Unable to use)



Parallel Operation B  
(Backup)

## Mounting Method

