

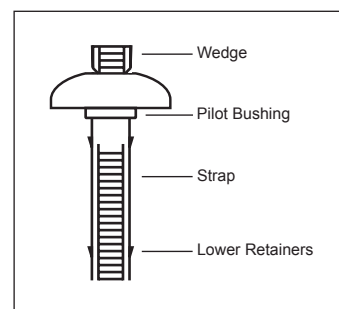
# Button Head Cable Ties

**multicomp** PRO

**RoHS  
Compliant**



Diagram



Dimensions : Millimetres

## Features

- Provides parallel entry and exit through the button head
- Serrations on both sides of cable tie and two opposed pawls allow for clockwise or counter-clockwise installation
- Heat stabilized to provide high operating temperatures of 230°F
- Impact resistant material resists high impact fatigue and endures vibrations
- Weather resistant UV black for outdoor use and sun protection

Part Number	Length Inch/mm	Width Inch/mm	Thickness Inch/mm	Pilot Bushing Diameter Inch/mm	Pilot Bushing Thickness Inch/mm	Head Diameter Inch/mm	Head Height Inch/mm	Tensile Strength lb/N	Max Bundle Dia. Inch/mm
MP001702	7.87/200	0.30/7.6	0.065/1.65	0.43/10.9	0.079/2	0.952/24.18	0.276/7	120/534	2.00/450.9
MP001703	11.81/300	0.30/7.6	0.065/1.65	0.43/10.9	0.079/2	0.952/24.18	0.276/7		3.25/82.8
MP001704	14.56/370	0.30/7.6	0.065/1.65	0.43/10.9	0.079/2	0.952/24.18	0.276/7		4.07/103.5

## Part Number Table

Description	Quantity	Part Number
Button Head Cable Tie, Black, 8" Length, 120lb	100/Pack	MP001702
Button Head Cable Tie, Black, 12" Length, 120lb		MP001703
Button Head Cable Tie, Black, 15" Length, 120lb		MP001704

**Important Notice :** This data sheet and its contents (the "Information") belong to the members of the AVNET group of companies (the "Group") or are licensed to it. No licence is granted for the use of it other than for information purposes in connection with the products to which it relates. No licence of any intellectual property rights is granted. The Information is subject to change without notice and replaces all data sheets previously supplied. The Information supplied is believed to be accurate but the Group assumes no responsibility for its accuracy or completeness, any error in or omission from it or for any use made of it. Users of this data sheet should check for themselves the Information and the suitability of the products for their purpose and not make any assumptions based on information included or omitted. Liability for loss or damage resulting from any reliance on the Information or use of it (including liability resulting from negligence or where the Group was aware of the possibility of such loss or damage arising) is excluded. This will not operate to limit or restrict the Group's liability for death or personal injury resulting from its negligence. Multicomp Pro is the registered trademark of Premier Farnell Limited 2019.

Newark.com/multicomp-pro  
Farnell.com/multicomp-pro  
Element14.com/multicomp-pro

**multicomp** PRO