

Features

- Rated currents 10A
- 2-pole rocker switch
- Single or dual-fuse holder
- Compact design with optimal shielding

RS PRO EMI FILTER

RSStock No.:237-8673



image serves as reference

RS PRO Professionally Approved Products bring to you professional quality parts across all product categories. Our product range has been tested by engineers and provides a comparable quality to the leading brands without paying a premium price.

Product Description

- Portable electrical and electronic equipment
- Single-phase power supply, switch-mode power supply
- Medical equipment
- Small and medium-sized machines and household equipment etc

General Specifications

H\Y'dfcXi Wg\Uj Y\[\ \UH\bi Uh]cbzVUgYX'cb`Wc_Ygk]h \][\`gUhi fUh]cb rYg]ghUbW`UbX`
 YI W`YbhH Yfa U`VY\Uj]cf"
 fF) E\mdYg`Vta d`mk]h`h`Y`fYei]fYa Ybhg'cZ=97#9B *\$*\$%#Zcf`gUZYImWUfUbWz`YU_U[Y`
 W ffYbh`H`YfY`UfY`Uj Uf]YImcZdUfhg`UbX`Vta V]bUh]cbg'hc`a`YYhX]ZZYfYbhW`ghca Yffj`9A 7`hYghg`
 7i`ghca]nYX'dfcXi Wg`UWt`fX]b[`hc`W`ghca Yffj`fYei]fYa Ybhg`

Mechanical Specifications

Size	()')L' \$")L) \$a a` f@L`K`L`<E`
Weight	\$\$+?[g`

Electrical Specifications

FUH\X`Jc`HU[Y`A`U`I`"	%@ #&) \$J 57`
CdYfUh]b[`ZfYei YbWn`) \$#` \$<n`
FUH\X`W`ffYbhg`	}%5`
<]dchFUh]b[`	@B`145\$J 87 , @#B!; `&&) \$J 87`

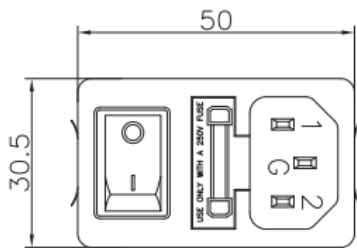
Protection Category

according to IEC 60529	IP40
------------------------	------

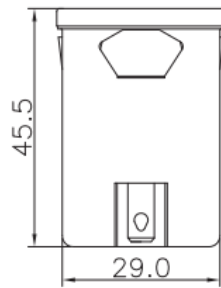
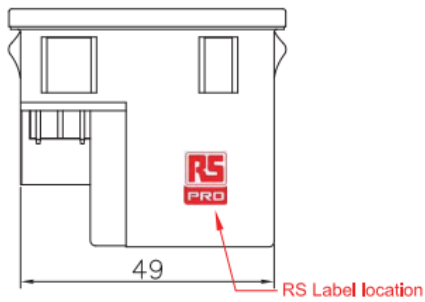
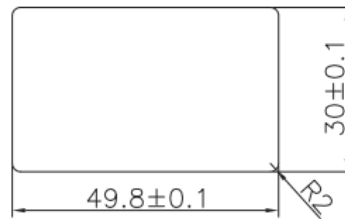
Approvals

Declarations	UL;TUV;CE;CQC;
Standards Met	UL1283, CSA C22.2 No.8; IEC/EN 60939; CQC GB 15288/GB 15287-2008

Physical Dimensions

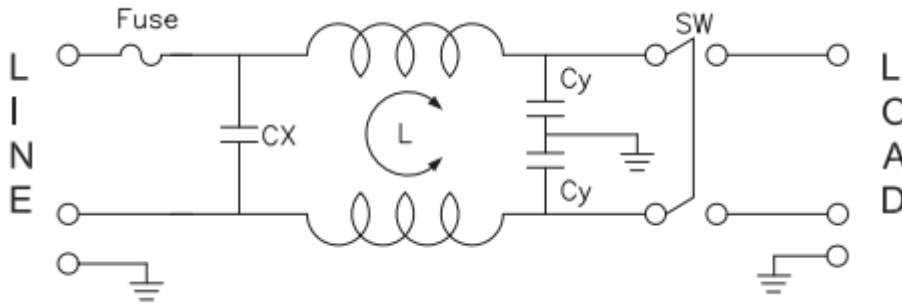


SUGGESTED PANEL CUTOUT
(MOUNTING FROM FRONT)
THICKNESS OF PANEL IS
FROM 0.8mm TO 1.2mm



0 ~ 10	±0.3
10 ~ 100	±0.5
100 ~ 150	±0.8
150 ~ 200	±1.0

Electrical Schematic



Insertion loss table (In 50ohm system according IEC/CISPR No.17)

— Common mode - - - - - Differential mode

10A

