

Datasheet

RS Pro Fuse Holder, For 5 x 20 mm Fuse

Stock No: 1884479,1884630

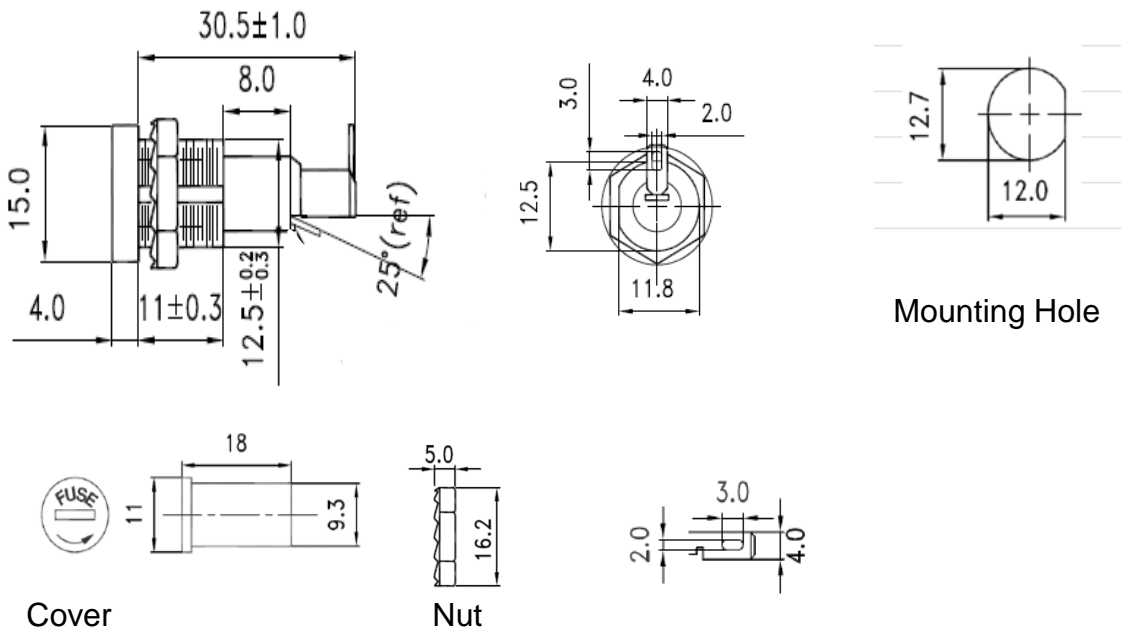


Specifications:

Materials

- Body : Phenolic Molding Compound.
- Cover : Polybutylene terephthalate.
- Nickel or tin plated copper alloy.

Drawing (mm):



Mounting Hole

Cover

Nut

Tolerance : ± 0.2



ENGLISH

Electrical Characteristic:

Rated Current : 10A 250V ◦

Insulation Resistance : Min 100M Ω (at 500V DC) ◦

Contact Resistance : 5m Ω (at 1A DC) ◦

Dielectric Strength : AC 1500V Min (60 sec) ◦

Insulating Body : Flame retarding UL 94 V0 Thermoplastic Material.

Reference:

Stock No	Rating amperes
1884479	10A 250V
1884630	10A 250V