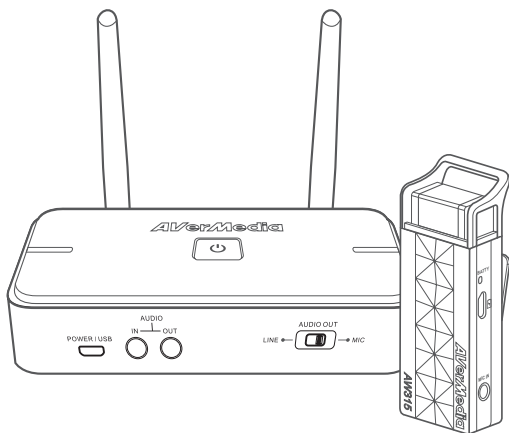


AVerMedia

AVerMic AW315 Wireless Teacher Microphone

Quick Guide



English
繁體中文

Disclaimer

All pictures contained in this documentation are example images only. The images may vary depending on the product and software version. Information presented in this documentation has been carefully checked for reliability; however, no responsibility is assumed for inaccuracies. The information contained in this documentation is subject to change without notice.

Copyright and Trademark Information

© 2019 by AVerMedia Technologies, Inc. All rights reserved. No part of this publication, in whole or in part, may be reproduced, transmitted, transcribed, altered or translated into any language in any form by any means without the written permission of AVerMedia Technologies, Inc. Information and specification contained in this manual are subject to change without notice and do not represent a commitment on the part of AVerMedia.

For more information, please visit www.avermedia.com.

AVerMedia is trademark or registered trademark of AVerMedia Technologies, Inc.

Headquarters

Address No.135, Jian 1st Rd., Zhonghe Dist., New Taipei City 23585, Taiwan
Website www.avermedia.com
Support www.avermedia.com/support
Telephone +886-2-2226-3630

US Office

Address 4038 Clipper Ct., Fremont, CA 94538, United States
Website www.avermedia-usa.com
Telephone +1 (510) 403 0006

Head Office EU (AVT Solutions GmbH)

Address Hanauer Landstrasse 291 B, 60314 Frankfurt Hessen, Germany
Website <http://q.avermedia.com/edu-inquiry>

國際總部

地址 23585 新北市中和區建一路 135 號
網址 www.avermedia.com
支援 <http://q.avermedia.com/edu-support>
電話 +886-2-2226-3630

Important Safety Instructions

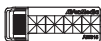
1. Read these instructions.
2. Keep these instructions.
3. Follow all instructions.
4. Heed all warnings.
5. Do not use the apparatus on uneven or unstable surfaces.
6. Do not use this apparatus in a wet environment or near water.
7. Unplug the apparatus before cleaning. Clean only with a dry cloth.
8. Use in a well ventilated environment. Do not block any ventilation openings.
9. Use the apparatus within ambient temperatures 32–104°F (0–40°C).
10. Use power sources within the specified voltage range.
11. Do not place heavy objects on the apparatus.
12. Do not install near heat sources such as radiators or stoves.
13. Do not defeat the safety purposes of the polarized or grounding-type plug.
14. Protect the power cord from being walked on or pinched, particularly where the cord connects with plugs or adapters.
15. Only use the attachments and accessories specified by the manufacturer.
16. Unplug this apparatus during lightning or when unused for prolonged periods of time.
17. Do not modify or disassemble the apparatus in any way.
18. Refer all servicing to AVerMedia Customer Service.
19. Do not dispose the apparatus as general household waste. Dispose in accordance with local environmental laws.

重要安全說明

1. 仔細閱讀這些說明。
2. 妥善保存這些說明。
3. 遵守所有的指示。
4. 注意所有的警告。
5. 請勿將本產品安裝於不平穩的表面。
6. 請勿在潮濕或靠近水的地方使用本產品。
7. 清潔前請拔除電源。僅使用乾布清潔。
8. 請於通風的環境使用本產品。請勿堵住通風口。
9. 請於規格溫度範圍 32–104°F (0–40°C) 使用本產品。
10. 請使用額定電壓範圍內的電源。
11. 請勿放置重物於本產品上。
12. 請勿安裝於熱源附近如暖器或火爐旁。
13. 請勿破壞極性或接地插頭的安全防護設計。
14. 請保護電源線，勿使其被踩踏或碾壓，特別是與插頭或變壓器的連接處。
15. 僅使用製造商指定的配件及零件。
16. 打雷或長時間不使用時請拔除電源。
17. 請勿以任何方式改造或拆解本產品。
18. 如需維修請洽本公司客服人員。
19. 請勿當作家庭垃圾任意丟棄。請遵從當地環境法規妥善處理。

Inside the Box

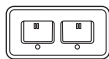
These are what you'll find in the box*:



Smart
Microphone
(AW315T)



Receiver
(AW315R)



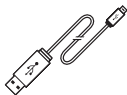
Microphone
Charging Dock



Quick Guide



USB AC Adapter
& Detachable
Plug



USB Power
Cable



3.5 to 6.3 mm
Audio Cable



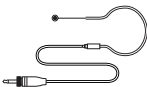
3.5 mm
Audio Cable



Buckle



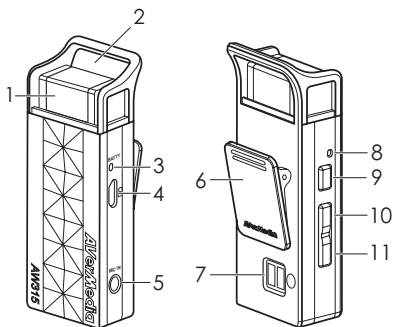
Lanyard



Headset
Microphone

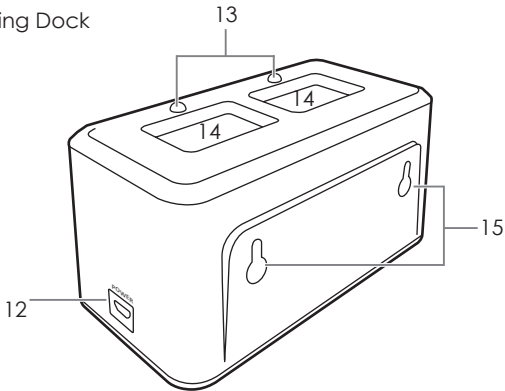
* Please refer to the package label for your actual contents as they vary depending on different SKU variants. For details on purchasing accessories, visit our product webpage.

Microphone



- 1 Microphone
- 2 Lanyard Hole
- 3 Battery LED
- 4 USB Power Port
- 5 Mic Input
- 6 Clip
- 7 Charging Dock Connector
- 8 Power LED
- 9 Power Button
- 10 Volume Up Button
- 11 Volume Down Button

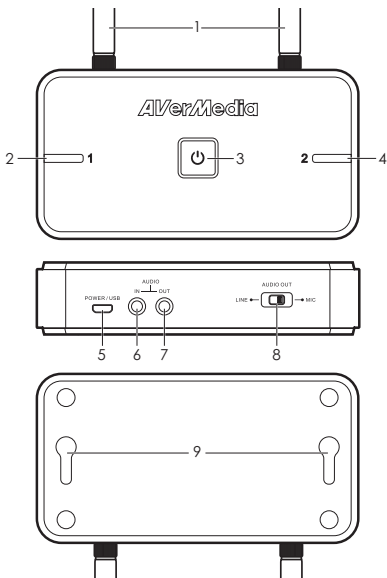
Charging Dock



- 12 USB Power Input
- 13 LED Indicators
- 14 Charging sockets
- 15 Mounting Keyholes

Parts and Ports

Receiver



- 1 Antenna
- 2 Mic 1 LED Indicator
- 3 Power Button/LED
(Press and hold 5 sec to switch between Power Saving Mode* and Normal Mode**)
- 4 Mic 2 LED Indicator
- 5 USB Power Port
- 6 Audio Input
- 7 Audio Output
- 8 Line/Mic Audio Out Switch
- 9 Mounting Keyholes

* Power Saving Mode: Receiver automatically turns off after 30 minutes without receiving any microphone signal.

** Normal Mode is set as default: Receiver stays on once turned on.

Receiver Mic LED

Flashing Green: Pairing

Solid Green: Paired

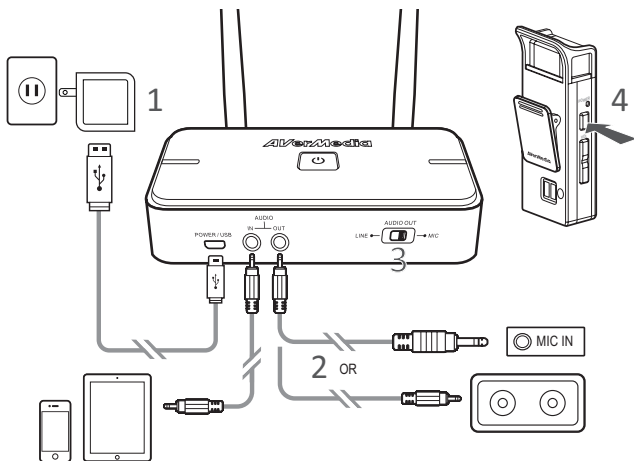
Receiver Power LED

Solid Blue: Powered On

(Switching Mode) Flash 3x --> Solid Blue:
Power Saving Mode

(Switching Mode) Solid Blue: Normal Mode

Flashing Blue: Firmware Updating

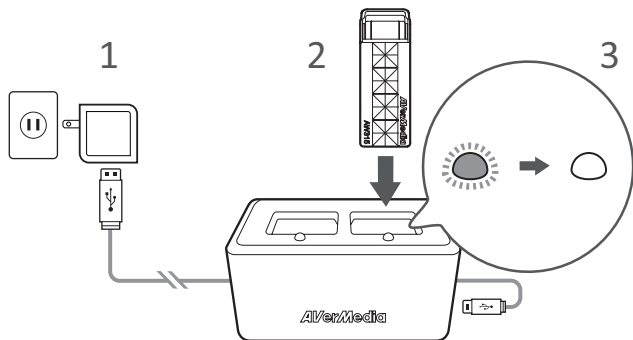


Note: (i) To avoid excessive sound on initial sound test, lower your speaker system volume first. (ii) Fully charge your microphone before first use.

1. Connect the receiver to a power outlet.
2. Connect the receiver Audio Output to a Mic Input on a speaker system or to a Line Input on a standalone speaker.
3. Turn the Audio Out Switch to Line or Mic accordingly.
4. Turn on the microphone and start using.*

* After being turned on, if the microphone and receiver do not work and their Power LEDs flash slowly, turn the microphone off and turn it back on. The microphone will automatically search for the receiver and start to pair. The pairing is complete when the Power LEDs turn solid green.

Charging



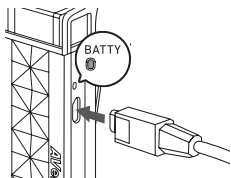
1. Connect the charging dock to a power outlet.
2. Insert Smart Microphone into a socket to start charging.
3. The charging is complete when the orange LED indicator turns off.

Charging Dock LED

Solid Orange: Charging

Off: Fully Charged

You can also plug in the USB Power Cable to charge your microphone.



Mic Battery LED (BATTY)

Flashing Red: Critical

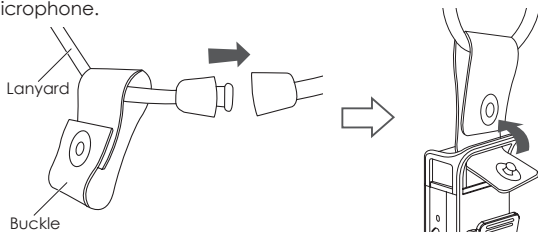
Solid Orange: Low

Flashing Red > Orange > Green:
Charging

(Charging) Solid Green: Fully Charged

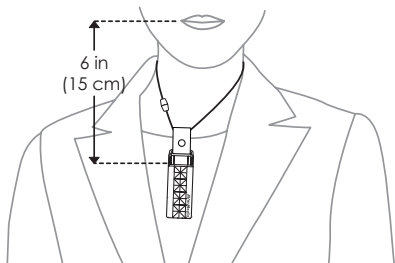
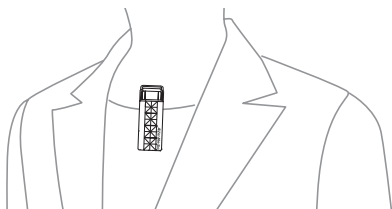
Preparation

Thread the lanyard through the buckle. Then attach the buckle to the microphone.



Wearing

You can clip the microphone to your clothing or wear it with the lanyard. The microphone is most effective when worn within 6 inches (15 cm) from your mouth.



Dual-Mic & Compatibility

AW313 and AW315 are compatible with some conditions. The chart below shows their microphones and receivers' compatibility.

Mic Pairing Order		AW315 Receiver		AW313 Receiver	
1st Mic	2nd Mic	1st Mic	2nd Mic	1st Mic	2nd Mic
AW315T	AW315T	✓	✓	✓	X
AW313T	AW315T	✓	✓	✓	X
AW315T	AW313T	✓	X	✓	X
AW313T	AW313T	✓	X	✓	X

Firmware Updates & More

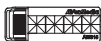
You can easily update firmware by connecting the receiver's USB port to a computer. For details, go to this link: <http://q.vermedia.com/aw315>. In addition, all future updates and new features will be listed on this webpage. Alternatively, scan the QR code below for mobile access.



包裝內容

TC

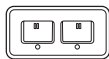
請確認您購買的包裝盒內包含以下所有物品*。



無線麥克風
(AW315T)



接收器
(AW310R)



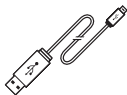
麥克風充電座



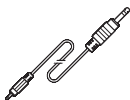
快速安裝手冊



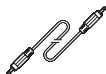
USB 電源轉換器
& 可拆卸插頭



USB 電源線



3.5 轉 6.3 mm
音源線



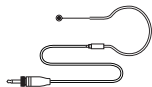
3.5 mm
音源線



掛繩



掛繩釦

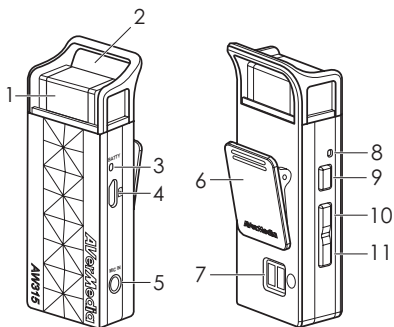


耳掛式麥克風

* 請參閱外盒標籤確定實際內容物，包裝內容會因不同 SKU 而有所差異。欲了解購買配件相關資訊，請參考我們的產品網頁。

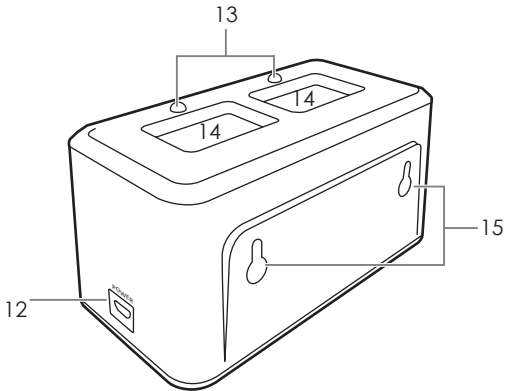
外觀簡介

麥克風



- 1 麥克風
- 2 掛繩孔
- 3 電池指示燈
- 4 USB 電源插孔
- 5 麥克風輸入
- 6 背夾
- 7 充電座接頭
- 8 電源指示燈
- 9 電源鍵
- 10 增大音量鍵
- 11 減小音量鍵

充電座

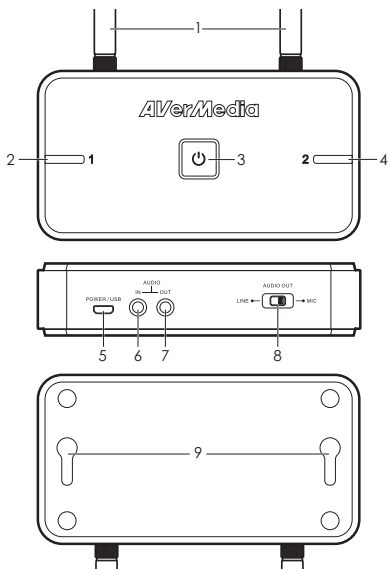


- 12 USB 電源輸入
- 13 LED 指示燈
- 14 充電插座孔
- 15 壁掛孔

外觀簡介

TC

接收器



- 1 天線
- 2 麥克風 1 指示燈
- 3 電源鍵/電源指示燈
(按住 5 秒可在省電模式*
和一般模式**之間切換)
- 4 麥克風 2 指示燈
- 5 USB 電源孔
- 6 音源輸入
- 7 音源輸出
- 8 Line/Mic
音源輸出切換鍵
- 9 壁掛孔

* 省電模式: 接收器會在未收到任何麥克風訊號30分鐘後自動關閉。

** 預設為一般模式: 接收器開機後保持開啟狀態。

接收器：麥克風指示燈

閃爍綠燈: 配對中

恆亮綠燈: 配對完成

接收器：電源指示燈

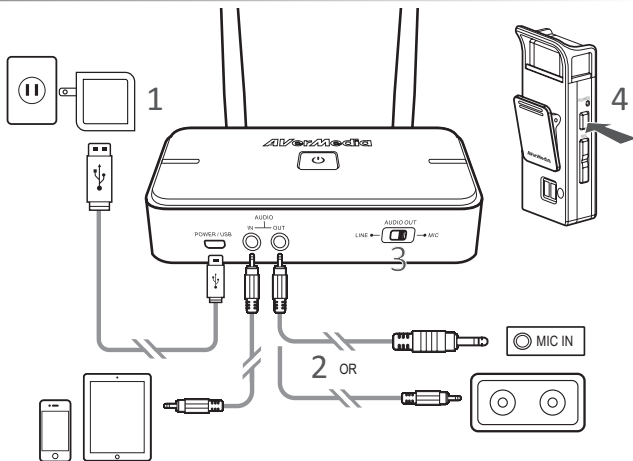
恆亮藍燈: 開

(切換模式) 閃爍三次 --> 恆亮藍燈: 省電模式

(切換模式) 恆亮藍燈: 一般模式

閃爍藍燈: 系統更新中

安裝步驟

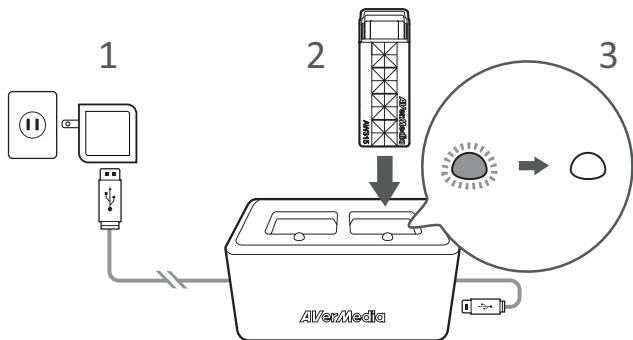


注意:

- (i) 為了避免在初次試音時聲音過大，請先降低音響系統的音量。
- (ii) 初次使用前先將麥克風充飽電。

1. 將接收器連接電源。
2. 將接收器連的音源輸出接到喇叭系統上的麥克風輸入孔，或接到獨立喇叭上的 Line 輸入孔。
3. 根據連接喇叭的輸入孔，將音源輸出切換鍵轉到 Line 或 Mic。
4. 開啟麥克風，並開始使用。*

* 如開啟後，麥克風和接收器的電源指示燈慢速閃爍且無法使用，請先關閉麥克風電源再重新開啟，麥克風會自動搜尋可配對的裝置，若電源指示指變為恆亮即完成配對。



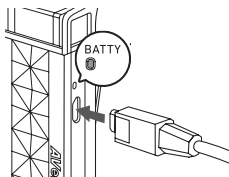
1. 將充電座連接電源。
2. 將無線麥克風插入插座即可開始充電。
3. 橘色指示燈熄滅時表示充電完成。

充電座指示燈

恆亮橘燈：充電中

燈號熄滅：充滿電

將 USB 電源線插上麥克風進行充電。



電池指示燈 (BATTY)

閃爍紅燈：電量嚴重不足

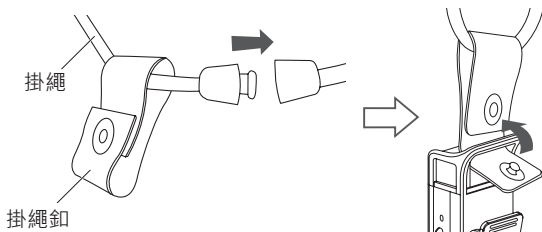
恆亮橘燈：低電量

閃爍紅燈 > 橘燈 > 綠燈：充電中

(充電中) 恆亮綠燈：充滿電

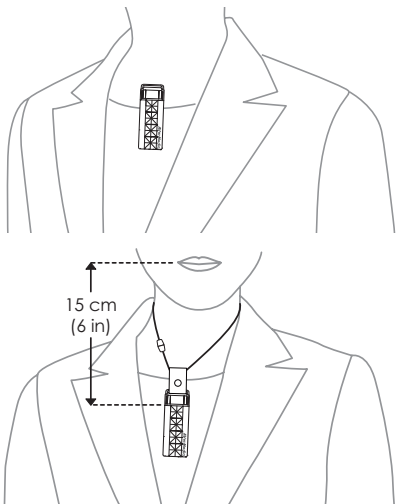
準備

先將掛繩穿過掛繩釦，然後將掛繩釦扣上麥克風。



穿戴

您可使用背夾將麥克風夾於衣服上，或使用掛繩穿戴麥克風。麥克風最佳使用距離為 15 公分 (6 英寸) 以內。



雙麥克風 & 相容性

AW313 和 AW315 在條件下是相容的。以下圖顯示其麥克風和接收器的相容性。

麥克風配對順序		AW315 接收器		AW313 接收器	
第一麥克風	第二麥克風	第一麥克風	第二麥克風	第一麥克風	第二麥克風
AW315T	AW315T	✓	✓	✓	X
AW313T	AW315T	✓	✓	✓	X
AW315T	AW313T	✓	X	✓	X
AW313T	AW313T	✓	X	✓	X

韌體更新 & 更多

您可以通過連接接收器的 USB 端口到電腦輕鬆更新韌體。詳細內容請到連接：<http://q.avermedia.com/aw315>。此外，未來韌體更新和新功能都將統一在此網頁中做說明。您也可以使用行動裝置掃描以下 QR 碼開啟網頁。





Federal Communications Commission Statement Class B

This device complies with Part 15 of the FCC Rules. Operation is subject to the following two conditions: (1) this device may not cause harmful interference, and (2) this device must accept any interference received, including interference that may cause undesired operation.

NOTE - This equipment has been tested and found to comply with the limits for a Class B digital device, pursuant to Part 15 of the FCC Rules. These limits are designed to provide reasonable protection against harmful interference in a residential installation. This equipment generates, uses and can radiate radio frequency energy and, if not installed and used in accordance with the instructions, may cause harmful interference to radio communications. However, there is no guarantee that interference will not occur in a particular installation. If this equipment does cause harmful interference to radio or television reception, which can be determined by tuning the equipment off and on, the user is encouraged to try to correct the interference by one or more of the following measures:

- Reorient or relocate the receiving antenna.
- Increase the separation between the equipment and receiver.
- Connect the equipment into an outlet on a circuit different from that to which the receiver is connected.
- Consult the dealer or an experienced radio/television technician for help.

CAUTION ON MODIFICATIONS

To comply with the limits for the Class B digital device, pursuant to Part 15 of the FCC Rules, this device must be installed in computer equipment certified to comply with the Class B limits. All cables used to connect the computer and peripherals must be shielded and grounded. Operation with non-certified computers or non-shielded cables may result in interference to radio or television reception.

Changes and modifications not expressly approved by the manufacturer or registrant of the equipment can void your authority to operate the equipment under Federal Communications Commission rules.

Radiation Exposure Statement

This equipment complies with FCC radiation exposure limits set forth for an uncontrolled environment. This equipment should be installed and operated with minimum distance 20cm between the radiator & your body.



European Community Compliance Statement Class B

This product is herewith confirmed to comply with the requirements set out in the Council Directives on the approximation of the laws of the Member States relating to R&TTE Directive 1999/5/EC, Low Voltage Directive (LVD) 2014/35/EU.



Waste Electrical and Electronic Equipment Directive

The mark of crossed-out wheeled bin indicates that this product must not be disposed of with your other household waste. Instead, you need to dispose of the waste equipment by handing it over to a designated collection point for the recycling of waste electrical and electronic equipment. For more information about where to drop off your waste equipment for recycling, please contact your household waste disposal service or the shop where you purchased the product.



台灣NCC

低功率電波輻射性電機管理辦法

第十二條：經型式認證合格之低功率射頻電機，非經許可，公司、商號或使用者均不得擅自變更頻率、加大功率或變更原設計之特性及功能。

第十四條：低功率射頻電機之使用不得影響飛航安全及干擾合法通信；經發現有干擾現象時，應立即停用，並改善至無干擾時方得繼續使用。

前項合法通信，指依電信法規定作業之無線電通信。

低功率射頻電機須忍受合法通信或工業、科學及醫療用電波輻射性電機設備之干擾。



Regulatory Compliance Mark



Technical Regulations of the Customs Union

TR CU 020/2011

TR CU 004/2011

FAC sticker here

300AAW315EBB
Model No.: AW315
Smart Microphone/麥克風
Made in Taiwan/台灣製造

www.avermedia.com