



ENGLISH

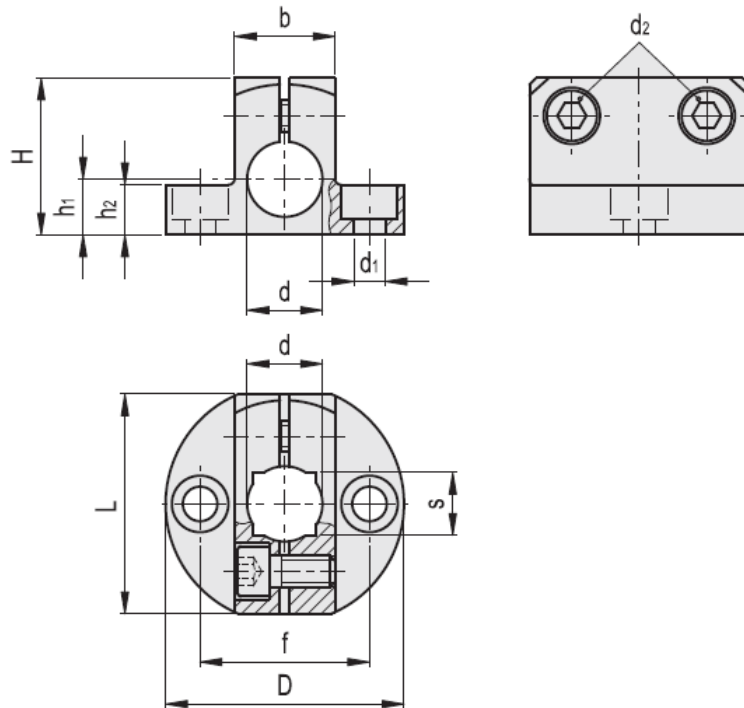
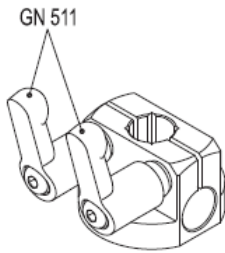
Datasheet

Round Tube Base Clamp



Specifications

- **Material**
Aluminium.
- **Clamping screws**
AISI 304 stainless steel with hexagon socket.
- **Standard executions**
 - **MSM-B-ANB**: anodised aluminium, black colour.
 - **MSM-B-MT**: natural aluminium, matte finish.



Main Dimensions

Stock No.	d	L	D	H	b	d1	D2	h1	h2	f	s
7865983	8	29	31.5	20	14	M4	M4	7	7	22	-
7866018	10	35	38	24	16	M5	M5	8	8	27	8
7866052	12	35	38	25	16	M5	M5	8	8	27	10
7866096	15	41	45	30	20	M6	M6	10	10	32	12
7866125	16	41	45	31	20	M6	M6	10	10	32	-
7866166	20	44	50	35	25	M6	M6	12.5	12.5	36	16