

DC Power Plug 4 Ways

multicomp PRO

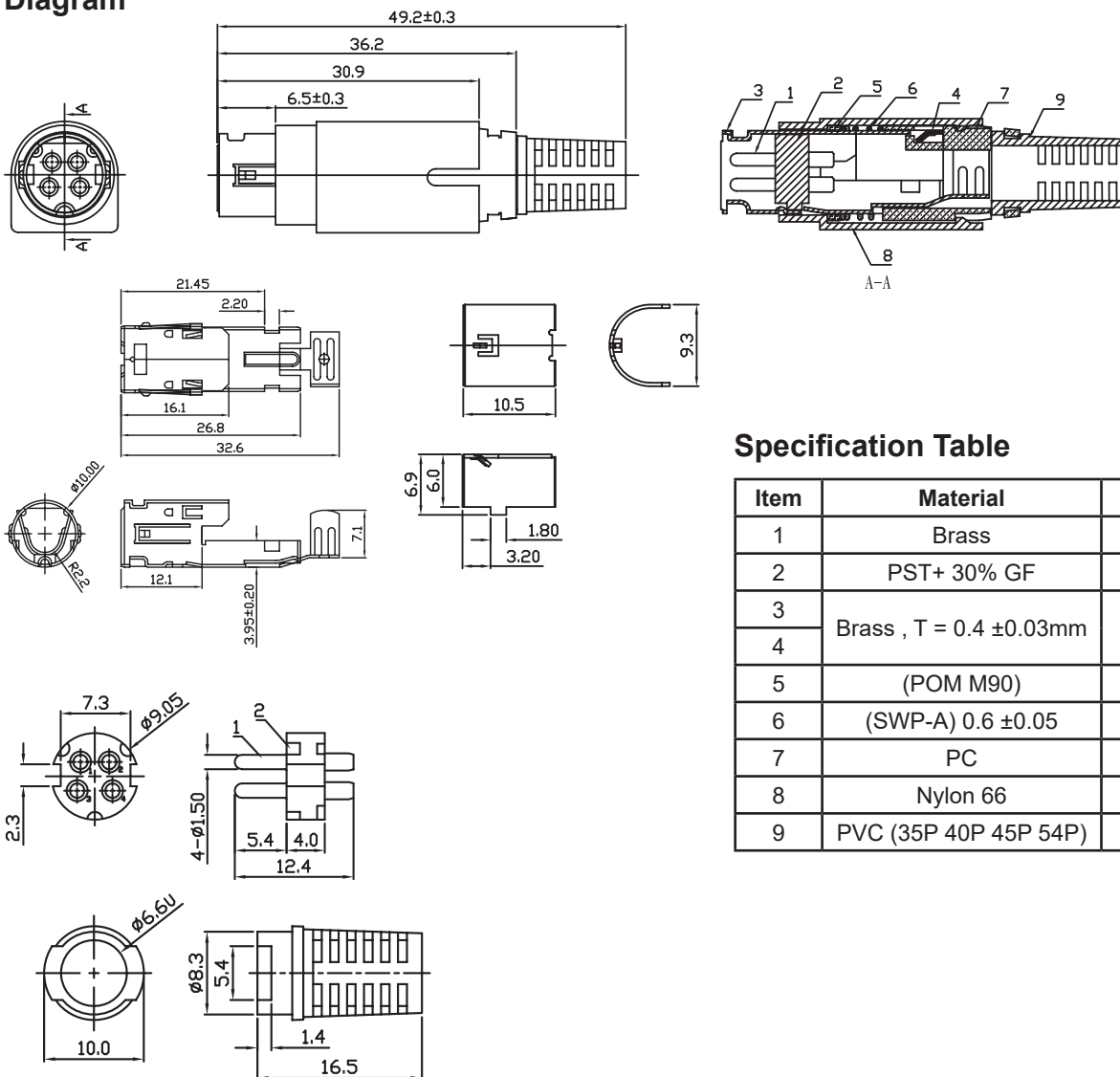
**RoHS
Compliant**



Specifications

Maximum Rating	: Pin 1, 2, 3 and 4 : DC 20V 7.5A or DC 30V 5A
Maximum Contact Resistance	: 30mΩ
Minimum Insulation Resistance	: 250V DC 50MΩ
Voltage Withstanding	: AC 250V 1 minute
Applicable Wire Size	: Pin 1, 2, 3 and 4 : AWG # 18 Maximum

Diagram



Specification Table

Item	Material	Finish
1	Brass	Silver Plated
2	PST+ 30% GF	Black
3	Brass , T = 0.4 ±0.03mm	Nickel Plated
4		
5	(POM M90)	Black
6	(SWP-A) 0.6 ±0.05	-
7	PC	
8	Nylon 66	
9	PVC (35P 40P 45P 54P)	

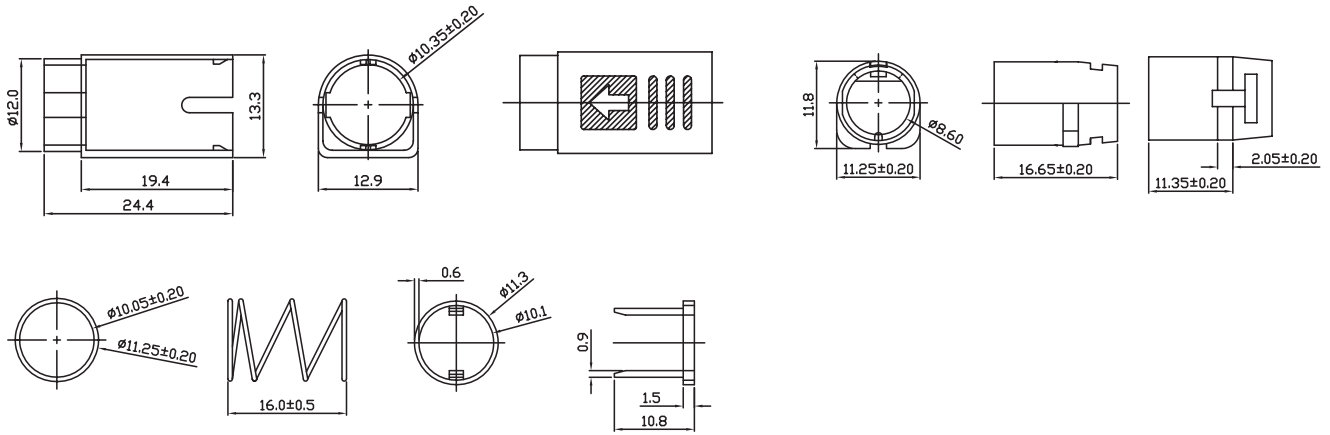
Dimensions : Millimetres

Newark.com/multicomp-pro
Farnell.com/multicomp-pro
Element14.com/multicomp-pro

multicomp PRO

DC Power Plug 4 Ways

multicomp PRO



Dimensions : Millimetres

Part Number Table

Description	Part Number
DC Power Plug, 4 Way, 20V DC, 7.5A	PM4490002-A05

Important Notice : This data sheet and its contents (the "Information") belong to the members of the AVNET group of companies (the "Group") or are licensed to it. No licence is granted for the use of it other than for information purposes in connection with the products to which it relates. No licence of any intellectual property rights is granted. The Information is subject to change without notice and replaces all data sheets previously supplied. The Information supplied is believed to be accurate but the Group assumes no responsibility for its accuracy or completeness, any error in or omission from it or for any use made of it. Users of this data sheet should check for themselves the Information and the suitability of the products for their purpose and not make any assumptions based on information included or omitted. Liability for loss or damage resulting from any reliance on the Information or use of it (including liability resulting from negligence or where the Group was aware of the possibility of such loss or damage arising) is excluded. This will not operate to limit or restrict the Group's liability for death or personal injury resulting from its negligence. Multicomp Pro is the registered trademark of Premier Farnell Limited 2019.

Newark.com/multicomp-pro
Farnell.com/multicomp-pro
Element14.com/multicomp-pro

multicomp PRO