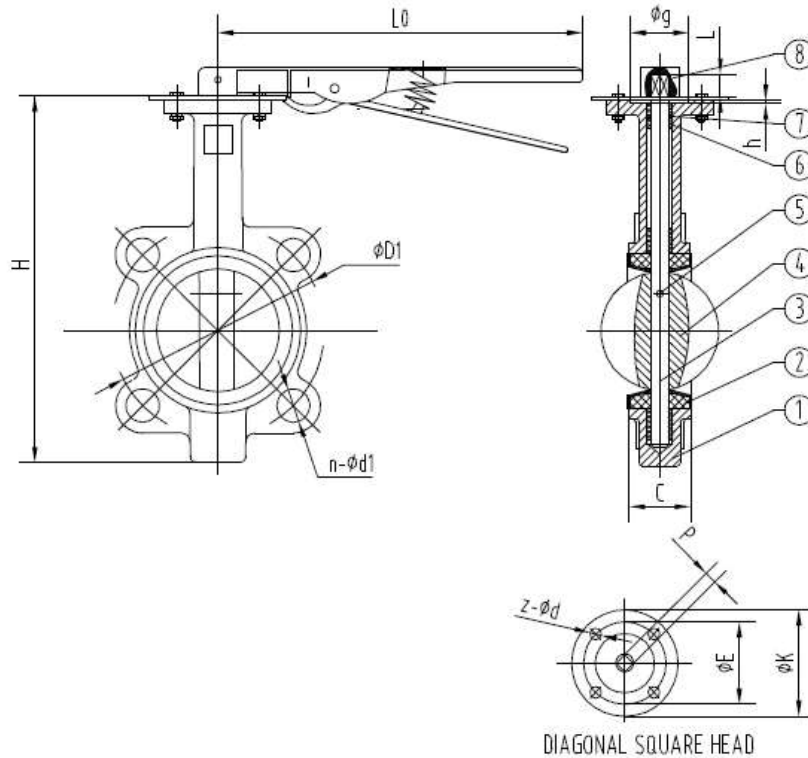


ANSI 150# Cast Iron Wafer Type Butterfly Valves

Features

- ANSI 150# Wafer Type Connection
- Size: 1 1/2" – 6" (DN40 - DN150)
- Valve Body Material: Cast Iron
- Working Pressure: 150 PSI
- Applicable Medium: General oil, gas and water applications
- Temperature Range: -30°C - 120°C



Material List

No.	Part Name	Material
1	Body	Cast Iron
2	Seat	EPDM
3	Shaft	SS410
4	Disc	CF8
5	Pin	SS304
6	Bushing	Polymers
7	Oring	NBR
8	Handle Lever	Ductile Iron

Technical Specifications

1. Basic design and manufacture according to API 609
2. Face to face dimension: API609
3. Inspection and test: API 598

Main Technical Parameter			
Nominal Pressure		1.6	MPa
Test Pressure	Shell	2.4	
	Sealing	1.76	
Working Temperature		-30 - 120	°C
Applicable Medium: General oil, gas & water			

Ordering Information

VL - CI - BU - W - 150 - 24
 I II III IV V VI

I Type of Item
 VL Low Pressure Valves

II Material Grade
 S SS316, CF8M CI Cast Iron
 FS Forged Steel CS Cast Steel
 B Brass

III Item
 GA Gate Valve B1 1 PC Ball Valve
 GL Globe Valve B2 2 PC Ball Valve
 YS Y-Strainer B3 3 PC Ball Valve
 SC Swing Check Valve BL 3 Way Ball Valve L Port
 VC Vertical Check Valve BT 3 Way Ball Valve T Port
 WC Wafer Check Valve BMF Male x Female Mini Ball Valve
 DD Dual Disk BU Butterfly Valve

IV Connection Type
 SW S/W G BSPP
 BW B/W N NPT
 R BSPT F Flange End
 W Wafer L Lug

V Pressure
 200 200 PSI 2000 2000 PSI
 300 300 PSI 150 ANSI 150# Flange Standard
 600 600 PSI 10K JIS 10K Flange Standard
 800 800 PSI PN16 PN 16 Flange Standard
 1000 1000 PSI

For Inch OD & Inch NB Sizes

VI Size

Size	1/8"	1/4"	5/16"	3/8"	1/2"	5/8"	3/4"	1"
Code	02	04	05	06	08	10	12	16
Size	1 1/4"	1 1/2"	2"	2 1/2"	3"	4"	5"	6"
Code	20	24	32	40	48	64	80	96

VII Coating
 (None) No Additional Coating
 NI Nickel Plating

Dimension List

Size		H	C	L	P	LO	Upper Flange					ANSI 150	
DN	Inches						K	E	z-d	g	h	D1	n-d1
40	1 1/2"	220	33.4	28	9	220	65	50	4-7	35	2.2	98.5	4-16
50	2"	242	42.7	25	9	220	65	50	4-7	35	2.2	120.5	4-19
65	2 1/2"	265	45	27	9	220	65	50	4-7	35	2.2	139.5	4-19
80	3"	280	45.3	24	9	220	65	50	4-7	35	2.2	152.5	4-19
100	4"	315	51.5	24	11	255	90	70	4-9	35	2.2	190.5	4-19
125	5"	342	54.5	26.7	14	260	90	70	4-9	35	2.2	216	4-22
150	6"	374	55.5	26	14	260	90	70	4-9	35	2.2	241.5	4-22

Part Number Reference

Part No	Description
VL-CI-BU-W-150-24	1 1/2" 150# CI BUTTERFLY VALVE WAFER TYPE, 4 HOLE CAST IRON BODY, EPDM SEAT, DISC SS304, SHAFT SS410, HANDLE OPERATOR
VL-CI-BU-W-150-32	2" 150# CI BUTTERFLY VALVE WAFER TYPE, 4 HOLE CAST IRON BODY, EPDM SEAT, DISC SS304, SHAFT SS410, HANDLE OPERATOR
VL-CI-BU-W-150-40	2 1/2" 150# CI BUTTERFLY VALVE WAFER TYPE, 4 HOLE CAST IRON BODY, EPDM SEAT, DISC SS304, SHAFT SS410, HANDLE OPERATOR
VL-CI-BU-W-150-48	3" 150# CI BUTTERFLY VALVE WAFER TYPE, CAST IRON BODY, EPDM SEAT, DISC SS304, SHAFT SS410, HANDLE OPERATOR
VL-CI-BU-W-150-64	4" 150# CI BUTTERFLY VALVE WAFER TYPE, 4 HOLE CAST IRON BODY, EPDM SEAT, DISC SS304, SHAFT SS410, HANDLE OPERATOR
VL-CI-BU-W-150-80	5" 150# CI BUTTERFLY VALVE WAFER TYPE, 4 HOLE CAST IRON BODY, EPDM SEAT, DISC SS304, SHAFT SS410, HANDLE OPERATOR
VL-CI-BU-W-150-96	6" 150# CI BUTTERFLY VALVE WAFER TYPE, 4 HOLE CAST IRON BODY, EPDM SEAT, DISC SS304, SHAFT SS410, HANDLE OPERATOR