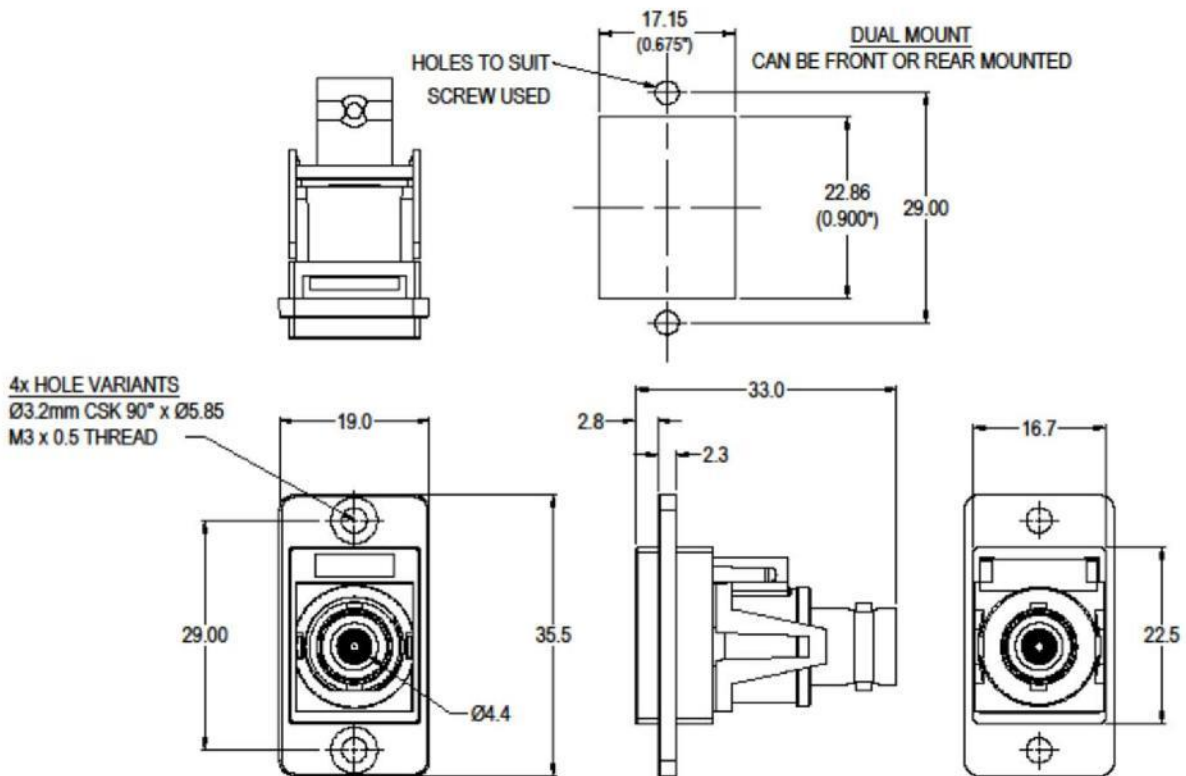


Datasheet

# RS PRO SLIM DUAL MOUNTING METAL FRAME BNC 50 Ohm FT CONNECTOR

Stock No: 2522992, 2522994, 2522993



**Material:**

- 1.SLIM Frame: Nickel plated Zinc diecast
- 2.BNC Frame: ABS UL94 V2
- 3.BNC Body: Brass - Nickel Plated
- 4.BNC Centre: Brass - Copper Plated
- 5.BNC Insulator: PP UL94 V2

## Features & Benefits:

- Fits standard rectangular cutout.
- Front or rear mounting through the panel.
- Various hole mounting options
- No soldering or punch termination. Use standard cable for each connector style.
- Low rear profile

## General:

Please note: Functionality is affected by cable quality, length and cable wiring configuration.

## Variants.

**2522992** – DUAL MOUNT FT BNC 50 Ohm Metal frame, CSK holes

**2522994** – DUAL MOUNT FT BNC 50 Ohm Black metal frame, CSK holes

**2522993** – DUAL MOUNT FT BNC 50 Ohm Metal frame, M3 holes



[rspro.com](http://rspro.com)

