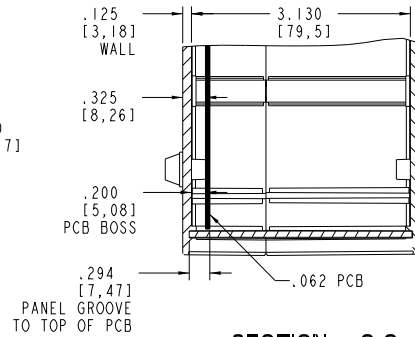
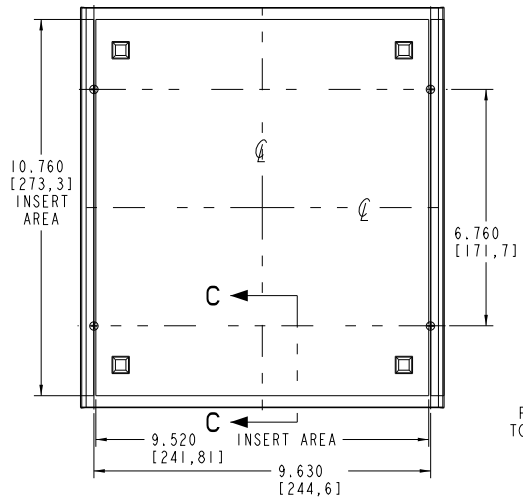
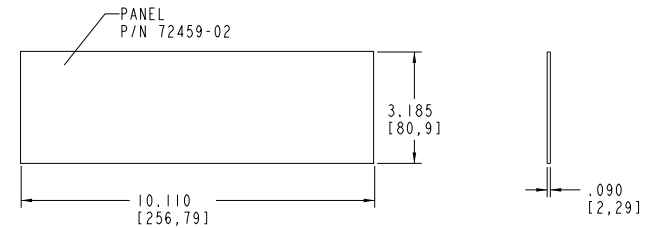


SECTION A-A

SECTION B-B



SECTION C-C
SCALE 1.200



COLOR / MATERIAL CODE		
COLOR	94HB	94VO
BLACK	000	028
P.C.BONE	039	060

DM-3



DRAWING NUMBER	REV
78901	A