



Datasheet

RS PRO Accessories for DIN rail

Stock number: 2069064

EN

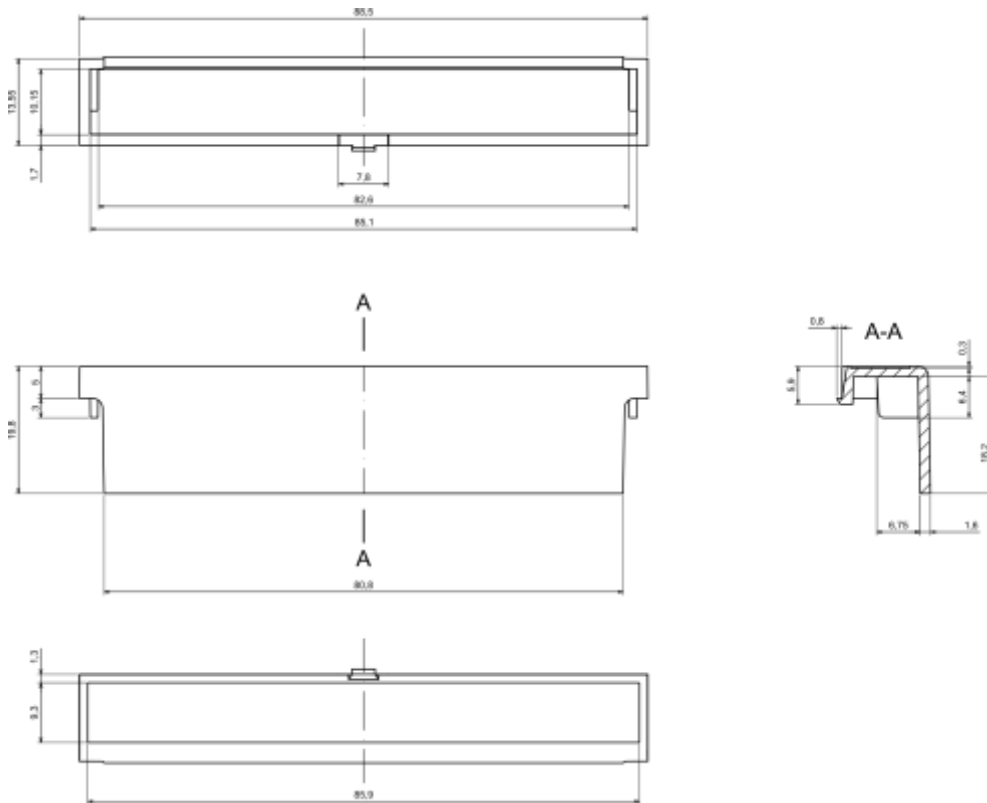


Product Details

Five module slot mask. Recommended when there are no outlets from the housing and entire opening has to be masked. It is possible to mill custom holes for special connectors. Slot mask designed for ZD1005, ZD1010 enclosures.

Features and Benefits

- Full terminal cover for five module slot.



Category	Accessories
Material	ABS V0
Height	19.8 mm
Width	13.6 mm
Length	88.5 mm
Color	Lightgray (J)
Standards Met	RoHS Compliant
Certificate number	

CE

