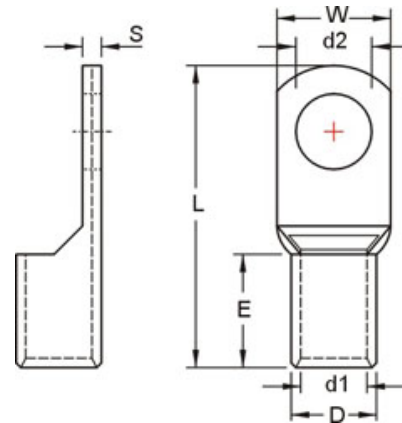


Datasheet

RS Pro Non-Insulated Copper Tubular Lugs (TL Series)

Stock Number: 125-1961



| WIRE RANGE A.W.G. / mm ² | ITEM NO. | STUID SIZE d2 | | DIMENSION inch(mm) | | | | | | Q'TY BOX |
|--|----------|------------------|------|--------------------|-----|-----|------|------|------|-------------|
| | | | | W | d1 | D | L | E | S | |
| 4 A.W.G. | TL25-10 | 3/8 | 10.5 | 15.0 | 7.0 | 9.0 | 33.0 | 12.0 | 1.65 | 200 |
| 25 mm ² | | | | | | | | | | |

Maximum Electric Current:

| | |
|--------|-----|
| A.W.G. | 4 |
| AMP. | 125 |

Terminal Material: Copper