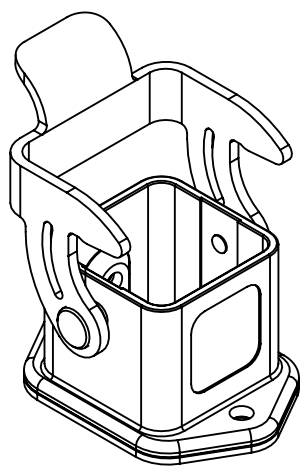
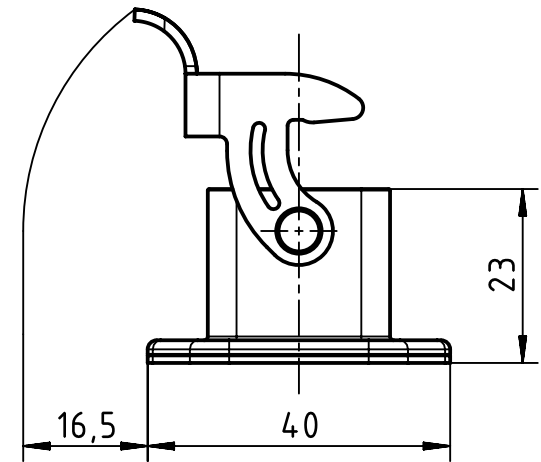
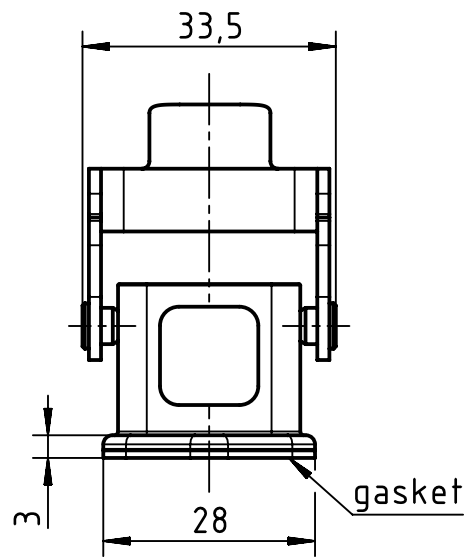
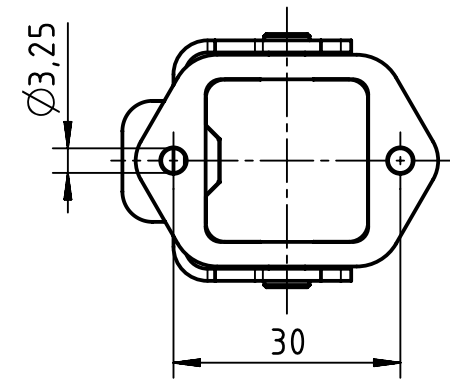
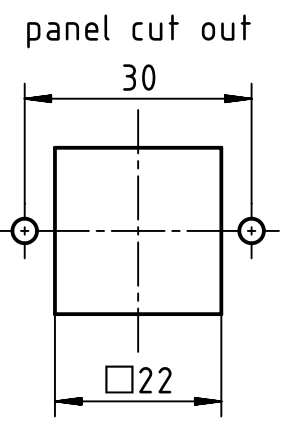



1 2 3 4 5 6

A
B
C
D



| | | | | | | |
|---|-----------------|-----------|-----------|------------------------------|-------------|---------|
|  | FREE SIZE TOL': | | | TITLE | | REV. |
| | | | | RS Pro 3A Housing Base mount | | A |
| | DRAWN BY | Limei.L | 2018.3.22 | SIZE | PART NUMBER | SHEET |
| | CHECKED BY | Andy.Y | 2018.3.22 | | A4 | 1715687 |
| APPROVED. BY | Steven.W | 2018.3.22 | SCALE 1:1 | MATERIAL: | UNIT: mm | |