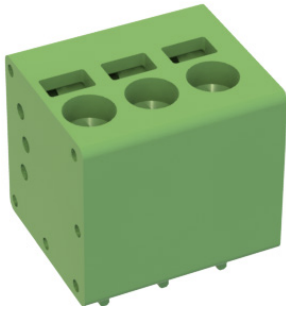


Push-In Spring Type PCB Terminal Blocks

multicomp PRO

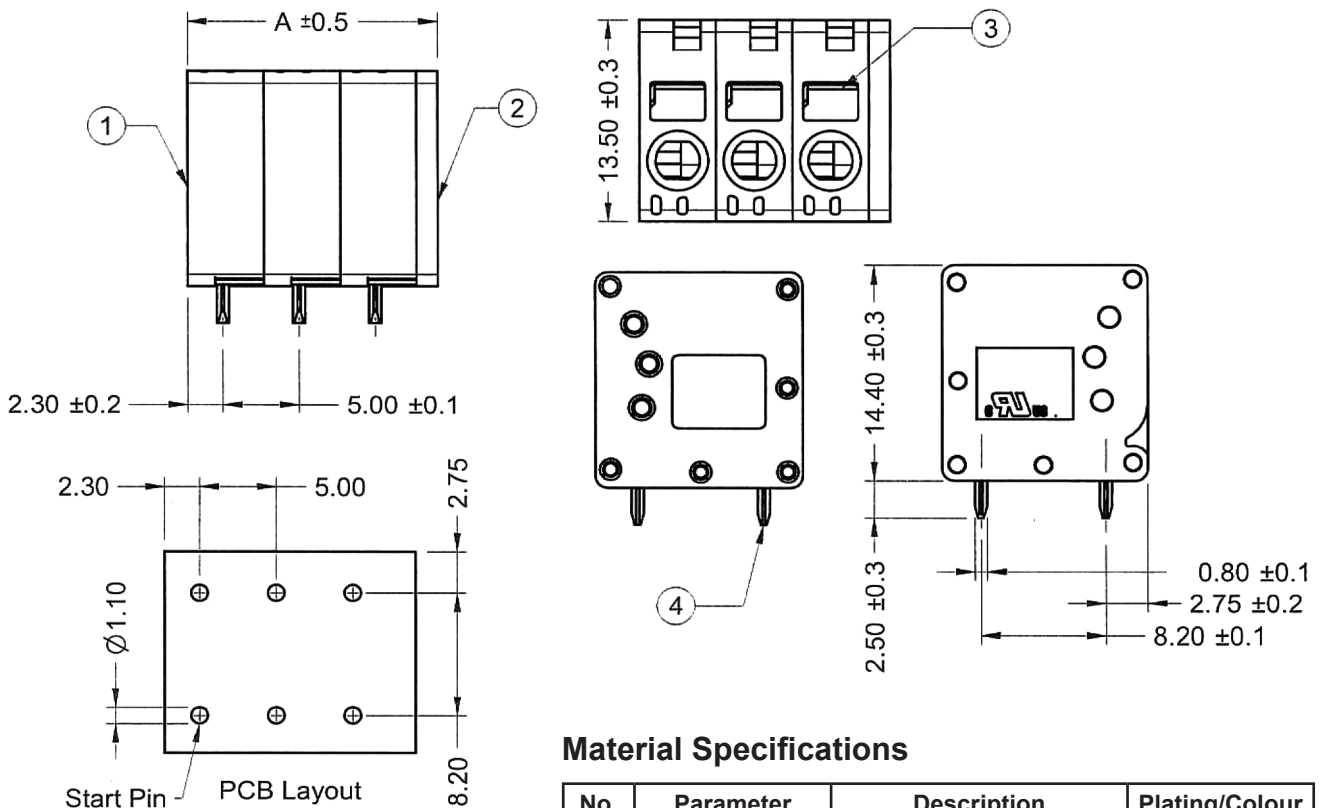
**RoHS
Compliant**



Specifications

No. of Poles	: 2 Pole ~ 12 Pole
Pitch Spacing	: 5mm
Wire Connection Method	: Push-In Spring
Block Orientation	: Through Hole Vertical
PCB Hole Diameter	: 1.1mm
Colour	: Green
Current Rating	: 20A @ AC 300V
Insulation Withstand Voltage	: AC 1600V Min.
Insulation Resistance	: >2000MΩ @ DC 500V
Operating Temperature	: -40°C to + 105°C
Wire Range	: 12 ~ 24AWG
Wire Strip Length	: 10mm

Diagram



Dimensions : Millimetres

Newark.com/multicomp-pro
Farnell.com/multicomp-pro
Element14.com/multicomp-pro

multicomp PRO

Push-In Spring Type PCB Terminal Blocks



Part Number Table

Description	"A" mm (Inches)	Part Number
PCB Terminal Block, Push-In Spring, 2Pole, 5mm, 12-24AWG, THT, Green	11.4 (0.449)	MC004165
PCB Terminal Block, Push-In Spring, 3Pole, 5mm, 12-24AWG, THT, Green	16.4 (0.646)	MC004166
PCB Terminal Block, Push-In Spring, 4Pole, 5mm, 12-24AWG, THT, Green	21.4 (0.843)	MC004167
PCB Terminal Block, Push-In Spring, 5Pole, 5mm, 12-24AWG, THT, Green	26.4 (1.039)	MC004168
PCB Terminal Block, Push-In Spring, 6Pole, 5mm, 12-24AWG, THT, Green	31.4 (1.236)	MC004169
PCB Terminal Block, Push-In Spring, 7Pole, 5mm, 12-24AWG, THT, Green	36.4 (1.433)	MC004170
PCB Terminal Block, Push-In Spring, 8Pole, 5mm, 12-24AWG, THT, Green	41.4 (1.63)	MC004171
PCB Terminal Block, Push-In Spring, 9Pole, 5mm, 12-24AWG, THT, Green	46.4 (1.827)	MC004172
PCB Terminal Block, Push-In Spring, 10Pole, 5mm, 12-24AWG, THT, Green	51.4 (2.024)	MC004173
PCB Terminal Block, Push-In Spring, 11Pole, 5mm, 12-24AWG, THT, Green	56.4 (2.22)	MC004174
PCB Terminal Block, Push-In Spring, 12Pole, 5mm, 12-24AWG, THT, Green	61.4 (2.417)	MC004175

Important Notice : This data sheet and its contents (the "Information") belong to the members of the AVNET group of companies (the "Group") or are licensed to it. No licence is granted for the use of it other than for information purposes in connection with the products to which it relates. No licence of any intellectual property rights is granted. The Information is subject to change without notice and replaces all data sheets previously supplied. The Information supplied is believed to be accurate but the Group assumes no responsibility for its accuracy or completeness, any error in or omission from it or for any use made of it. Users of this data sheet should check for themselves the Information and the suitability of the products for their purpose and not make any assumptions based on information included or omitted. Liability for loss or damage resulting from any reliance on the Information or use of it (including liability resulting from negligence or where the Group was aware of the possibility of such loss or damage arising) is excluded. This will not operate to limit or restrict the Group's liability for death or personal injury resulting from its negligence. Multicomp Pro is the registered trademark of Premier Farnell Limited 2019.

Newark.com/multicomp-pro
Farnell.com/multicomp-pro
Element14.com/multicomp-pro

