

FEATURES

- All fluids usable in aggressive environment
- Mechanical resistance
- Silicon free

RS PRO Quick Exhaust Valve 316L PU F-F 1/2

RS Stock No.: 2312701



RS PROfessionally Approved Products bring to you professional quality parts across all product categories. Our product range has been tested by engineers and provides a comparable quality to the leading brands without paying a premium price.

Product Description

The RS PRO quick exhaust valve 316L pu f-f 1/2 works in 0.2 bar to 25 bar pressure range. It is mainly used in chemical, petrochemical, life & sciences, inert gases and vacuum applications. It is also usable in salty environment and on machines that need frequent washing with aggressive detergents. RoHS and REACH compliant.

General Specifications

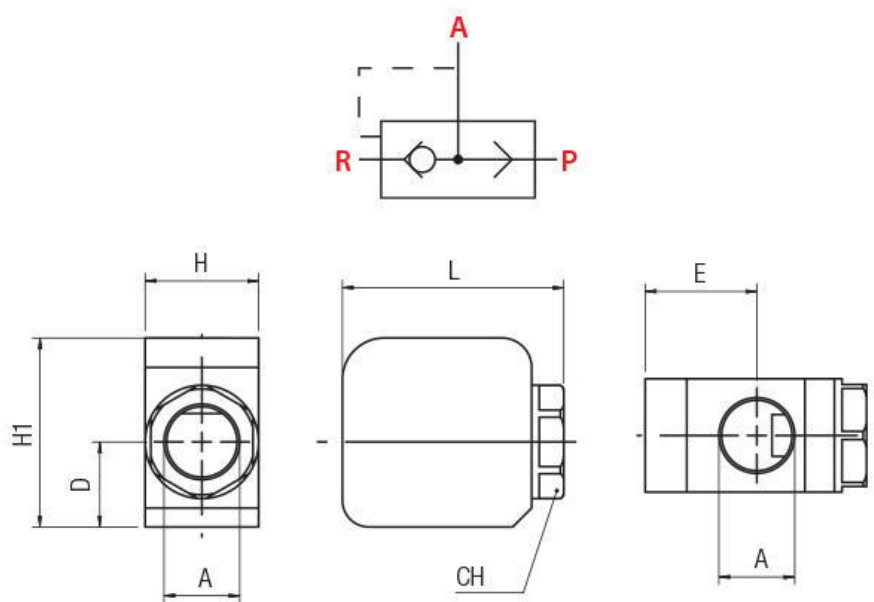
Built-In Silencer	1/2
Application	Chemical, Petrochemical, Life & Sciences, Inert Gases And Vacuum Applications

Mechanical Specifications

Connection Type	BSP 1/2 Female
Threaded Connection Size	Non Return Valve
Maximum Operating Pressure	25bar
Minimum Operating Pressure	0.2bar

Similar Products

Parameters	2312699	2312698
Brand	RS PRO	RS PRO
Built-In Silencer	1/8	1/4
Connection Type	1/8 in Female	1/4 in Female
Threaded Connections	Quick Exhaust Valve	Quick Exhaust Valve



A	H	L	H1	E	D	CH	DN	Pack
1/2	30	58.5	50	29.5	22.5	27	12	2