



ENGLISH

Datasheet

RS Pro Manual Ball Valve Stainless Steel 1-1/2in

RS Stock No: **764-4244**



Product Details

RS Pro stainless steel manual ball valve has a screwed end ball for flow control. This ball has 1-1/2 in thread size for external connection. It is available in various sizes.

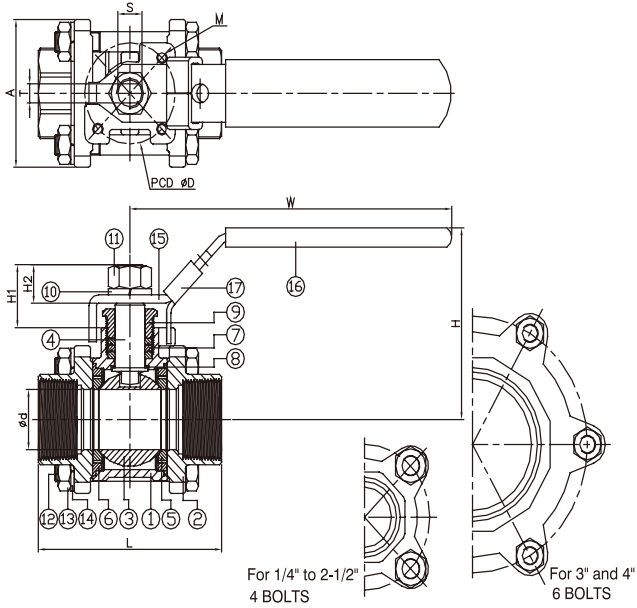
Features and Benefits

- Full port 1/4 to 4 in (DN8 to DN100)
- W.P: 1000 WOG (PN63)
- W.T: -20 to 200°C
- Blow-out proof stem
- Locking device
- Thread type: ASME B1.20.1 (NPT) DIN2999 and BS21 ISO7/1 and EN10226
- ISO 5211 mounting pad
- Investment casting

**Specifications:**

| | |
|-----------------------------|-----------------|
| Attachment Type | Threaded |
| Ball Material | Stainless Steel |
| Body Material | Stainless Steel |
| Handle Colour | Blue |
| Handle Material | Stainless Steel |
| Safe for Use With | Gas, Oil, Water |
| Thread Standard | NPT |
| Threaded Connection | 1-1/2 in NPT |
| Type | Full Port |
| Thread Size | 1-1/2 in |
| Maximum Working Pressure | 1000 psi |
| Operating Temperature Range | -20 to +200°C |

| ITEM | PARTS | MATERIAL |
|------|----------------|------------------------------|
| 1 | BODY | ASTM A351-CF8M ASTM A216-WCB |
| 2 | CAP | |
| 3 | BALL | ASTM A351-CF8M |
| 4 | STEM | ASTM A276-316 |
| 5 | SEAT | PTFE / RTFE |
| 6 | DEAL | PTFE |
| 7 | PACKING | |
| 8 | THRUST WASHER | |
| 9 | GLAND NUT | |
| 10 | SPRING WASHER | |
| 11 | STEM NUT | |
| 12 | BOLT | |
| 13 | NUT | |
| 14 | SPRING WASHER | |
| 15 | HANDLE | PVC |
| 16 | HANDLE SLEEVE | |
| 17 | LOCKING DEVICE | AISI 304 |



| DN | d | L | H | W | D | A | M | S | T | H1 | H2 | ISO 5211 | Torque (N-M) | Weight (kg) |
|-----|------|-----|------|-----|-----|-------|-----|-------------|-----|------|------|----------|--------------|-------------|
| 8 | 11.6 | 65 | 58.5 | 100 | 36 | 39.9 | M5 | 3/8"-24UNF | 5 | 19.3 | 13.5 | F03 | 7.5 | 0.4 |
| 10 | 12.5 | 65 | 58.5 | 100 | 36 | 39.9 | M5 | 3/8"-24UNF | 5 | 19.3 | 13.5 | F03 | 7.5 | 0.4 |
| 15 | 15 | 65 | 62 | 100 | 36 | 46.7 | M5 | 3/8"-24UNF | 5 | 19.4 | 13.5 | F03 | 7.5 | 0.5 |
| 20 | 20 | 75 | 62 | 125 | 36 | 52.2 | M5 | 7/16"-20UNF | 6.5 | 22.4 | 16 | F03 | 7.5 | 0.7 |
| 25 | 25 | 85 | 77 | 149 | 42 | 58.2 | M5 | 7/16"-20UNF | 8 | 25.6 | 16.2 | F04 | 12.5 | 1 |
| 32 | 32 | 101 | 82 | 149 | 42 | 69.6 | M5 | 7/16"-20UNF | 8 | 25.6 | 16.2 | F04 | 15 | 1.7 |
| 40 | 38 | 112 | 100 | 190 | 50 | 77.8 | M6 | 1/2"-20UNF | 10 | 29.7 | 20 | F05 | 20 | 2.4 |
| 50 | 50 | 130 | 108 | 190 | 50 | 90.1 | M6 | 1/2"-20UNF | 10 | 29.7 | 20 | F05 | 25 | 3.5 |
| 65 | 63 | 162 | 137 | 250 | 70 | 114.6 | M8 | 3/4"-10UNC | 12 | 39.4 | 27.5 | F07 | 64 | 6.7 |
| 80 | 76 | 188 | 145 | 250 | 70 | 168.7 | M8 | 3/4"-10UNC | 12 | 39.4 | 27.5 | F07 | 85 | 9.8 |
| 100 | 96 | 224 | 179 | 323 | 102 | 215.4 | M10 | 1"-8UNC | 16 | 53.7 | 39.8 | F10 | 95 | 19.2 |

unit:mm

| NPS | d | L | H | W | D | A | M | S | T | H1 | H2 | ISO 5211 | Torque (in-lb) | Weight (lb) |
|--------|------|------|------|-------|------|------|-----|-------------|------|------|------|----------|----------------|-------------|
| 1/4" | 0.46 | 2.56 | 2.3 | 3.94 | 1.42 | 1.57 | M5 | 3/8"-24UNF | 0.2 | 0.76 | 0.53 | F03 | 66.4 | 0.8 |
| 3/8" | 0.49 | 2.56 | 2.3 | 3.94 | 1.42 | 1.57 | M5 | 3/8"-24UNF | 0.2 | 0.76 | 0.53 | F03 | 66.4 | 0.8 |
| 1/2" | 0.59 | 2.56 | 2.44 | 3.94 | 1.42 | 1.84 | M5 | 3/8"-24UNF | 0.2 | 0.76 | 0.53 | F03 | 66.4 | 1.1 |
| 3/4" | 0.79 | 2.95 | 2.44 | 4.92 | 1.42 | 2.06 | M5 | 7/16"-20UNF | 0.26 | 0.88 | 0.63 | F03 | 66.4 | 1.6 |
| 1" | 0.98 | 3.35 | 3.03 | 5.87 | 1.65 | 2.29 | M5 | 7/16"-20UNF | 0.31 | 1.01 | 0.64 | F04 | 110.6 | 2.3 |
| 1-1/4" | 1.26 | 3.98 | 3.23 | 5.87 | 1.65 | 2.74 | M5 | 7/16"-20UNF | 0.31 | 1.01 | 0.64 | F04 | 132.8 | 3.6 |
| 1-1/2" | 1.5 | 4.41 | 3.94 | 7.48 | 1.97 | 3.06 | M6 | 1/2"-20UNF | 0.39 | 1.17 | 0.79 | F05 | 177 | 5.3 |
| 2" | 1.97 | 5.12 | 4.25 | 7.48 | 1.97 | 3.55 | M6 | 1/2"-20UNF | 0.39 | 1.17 | 0.79 | F05 | 221.3 | 7.7 |
| 2-1/2" | 2.48 | 6.38 | 5.39 | 9.84 | 2.76 | 4.51 | M8 | 3/4"-10UNC | 0.47 | 1.55 | 1.08 | F07 | 566.4 | 14.8 |
| 3" | 2.99 | 7.4 | 5.71 | 9.84 | 2.76 | 6.64 | M8 | 3/4"-10UNC | 0.47 | 1.55 | 1.08 | F07 | 752.3 | 21.6 |
| 4" | 3.78 | 8.82 | 7.05 | 12.72 | 4.02 | 8.48 | M10 | 1"-8UNC | 0.63 | 2.11 | 1.57 | F10 | 840.8 | 42.3 |

unit:in