



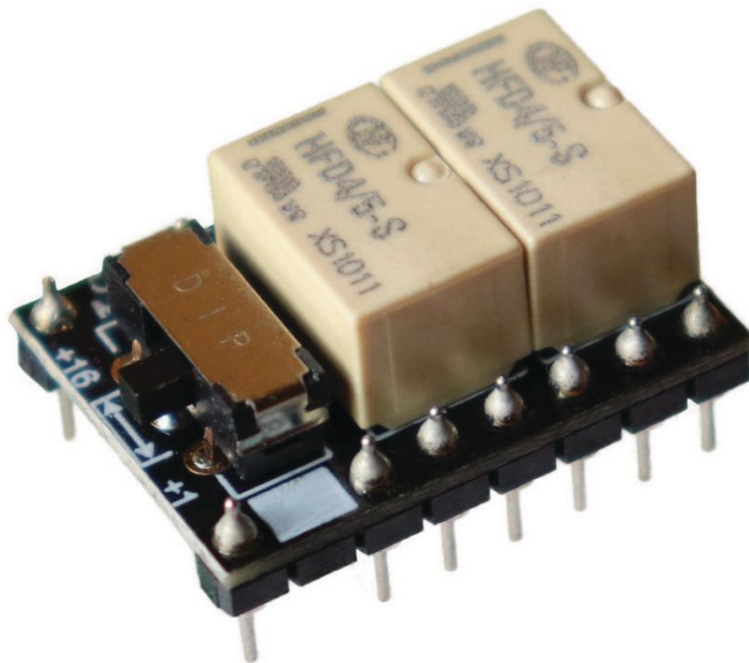
Every part matters

EN

# RS Pro 4PDT 24V Polarity Selectable PCB Mount Relay

Stock Number: 193-5850

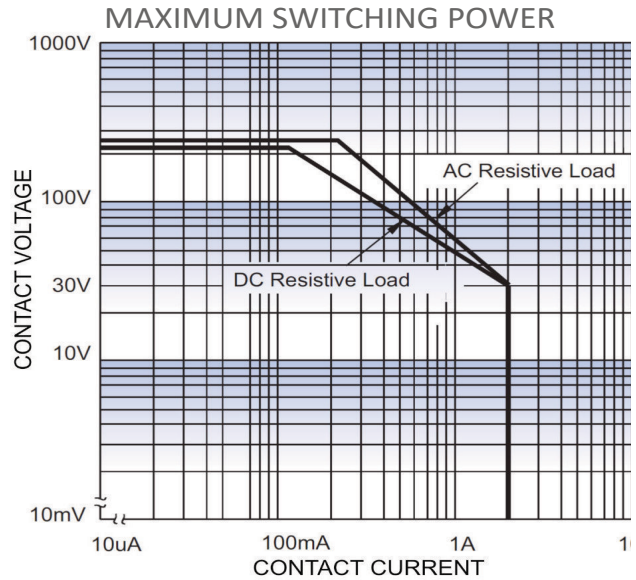
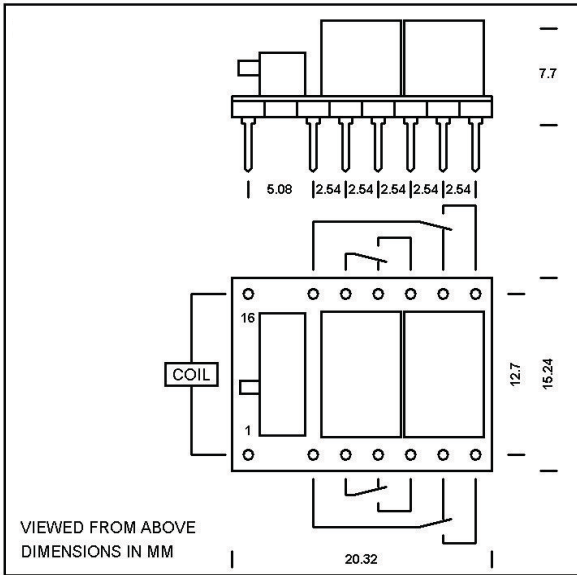
---



The RS Pro 4PDT 24V polarity selectable PCB mount relay is a drop in alternative solution to the obsolete Tyco/Axicom MT4 and Siemens V23104 relays.

This relay module is fitted with polarised signal relays, the polarity selector switch enables easy integration into any relay circuit that previously used the original obsolete non-polarised relays.





Contact Data	
Contact arrangement	4 pole C/O
Contact resistance	100mΩ max at 10mA / 30mVdc
Contact material	AgNi + Au plated
Contact rating (Res. Load)	1A 30Vdc 0.5A 125Vac
Max. switching current	2A
Max. Switching voltage	250Vac / 220Vdc
Max. Switching power	62.5VA / 60W
Min. Applicable load	10mV 10μA
Mechanical endurance	1 x 10 <sup>8</sup> ops
Electrical endurance	1 x 10 <sup>5</sup> ops (AgNi + Au plated, 0.5A 125Vac, resistive load, at 40°C, 1s on 9s off)

Characteristics	
Operate time	3ms max.
Release time	3ms max.
Ambient temperature	-40°C to 85°C
Humidity	5% to 85% RH
Unit weight	3.30g

Coil Data (24V)	
Pick-up voltage Vdc max.	18V
Drop-out voltage Vdc min.	2.4V
Coil resistance Ω	1440Ω
Nominal power mW	400mW
Max voltage Vdc	36.0V