



ENGLISH

## 1230980 Electro Mechanical Buzzer - 100dB at 12VDC

### Specifications

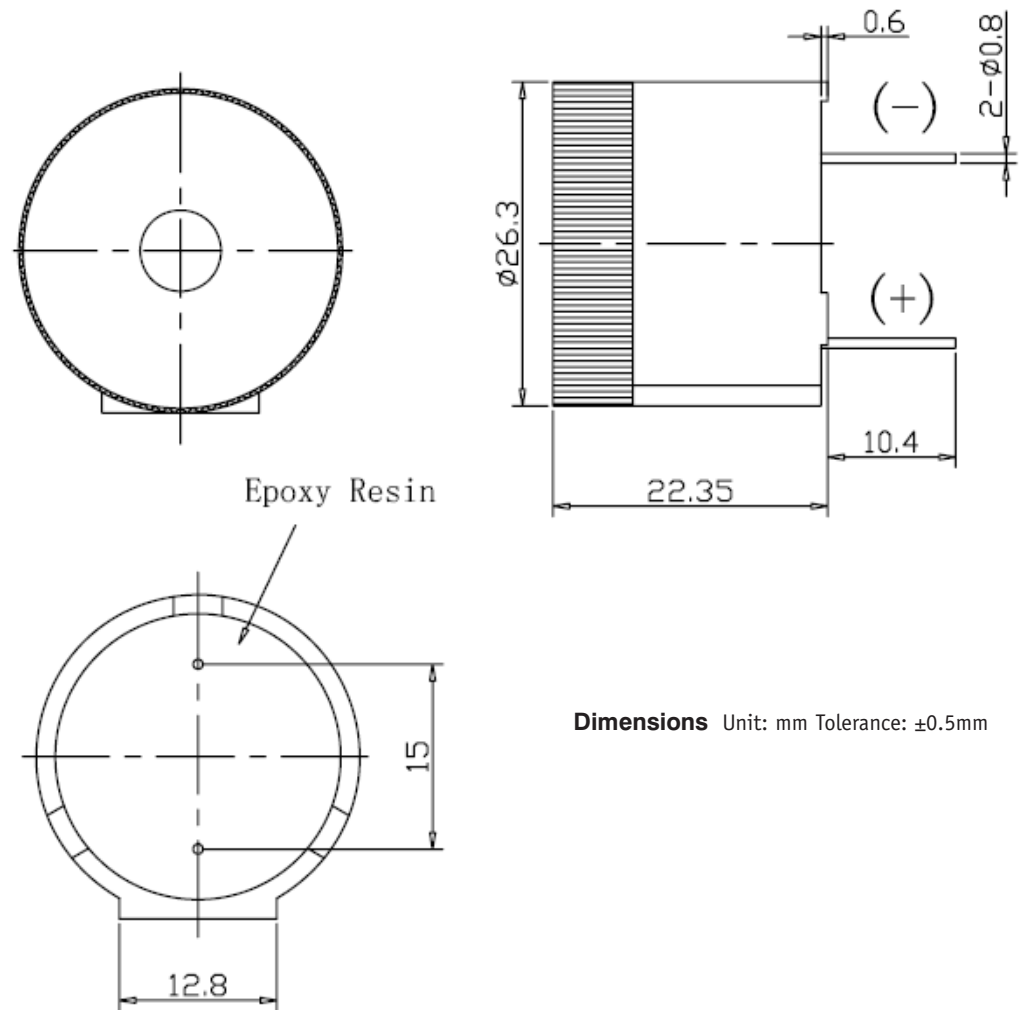
|                       | 1230980     |
|-----------------------|-------------|
| Rated voltage         | 12VDC       |
| Operating voltage     | 5~18VDC     |
| Rated current*        | ≤50mA       |
| Sound output at 10cm* | ≥100dB 2800 |
| Resonant frequency    | ±500Hz      |
| Tone                  | Continuous  |
| Operating temperature | -30~+70°C   |
| Storage temperature   | -40~+85°C   |
| Weight                | 12g         |

\*Value applying at rated voltage (DC)

All data at 25°C unless otherwise specified

### Features

- ROHS compliant
- Grey in colour
- With internal drive circuit
- Housing material: Noryl
- Pin material: Red copper
- Wave solder and wash not allowed



Dimensions Unit: mm Tolerance:  $\pm 0.5$ mm